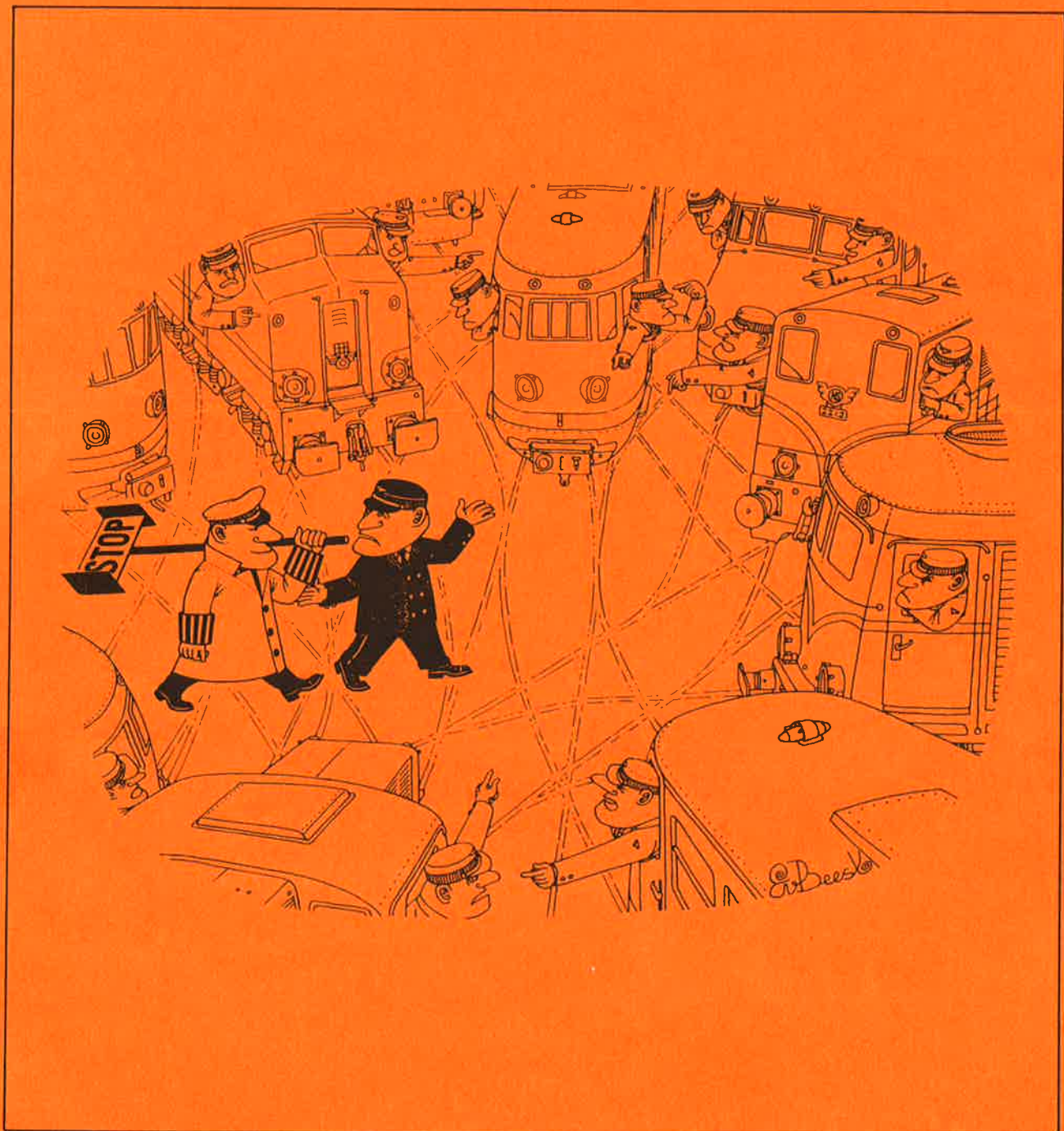


Stationsbeveiliging Type NX-systeem '68

Tekeningen

Opleiding en Vorming



Stationsbeveiliging Type NX-systeem '68

Tekeningen

Opleiding en Vorming



Samensteller(s) : A. E. v. Houwelingen

Groep : Technische Opleidingen

Verantwoordelijke sectorchef : D. Kruijd

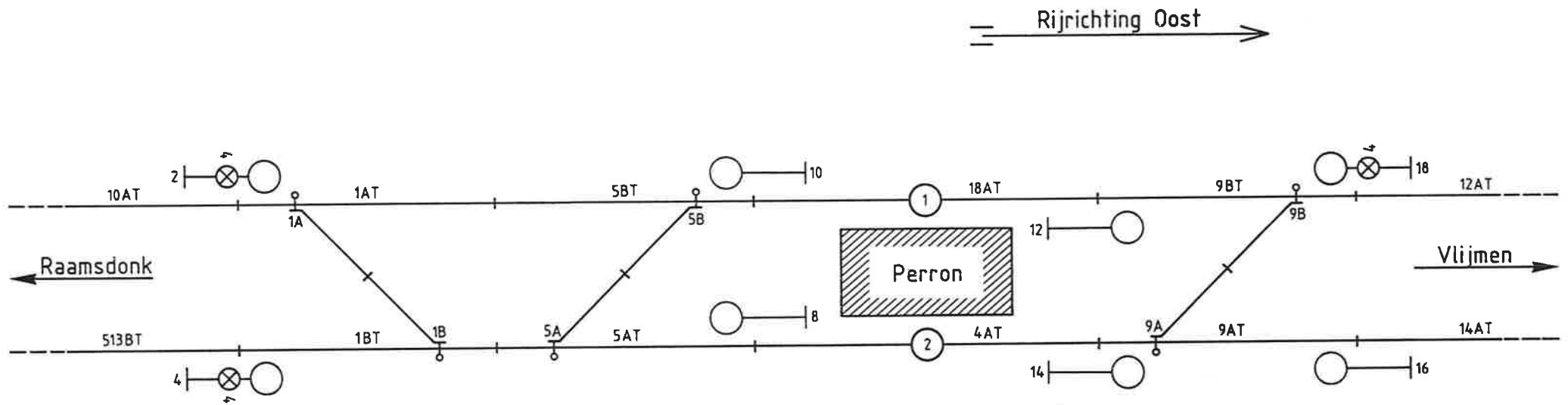
Datum 1^e druk : januari 1987

Datum gewijzigde herdruk : -

Totaal oplage : 100 stuks

Archiefcode : L3811/M r.v.m.

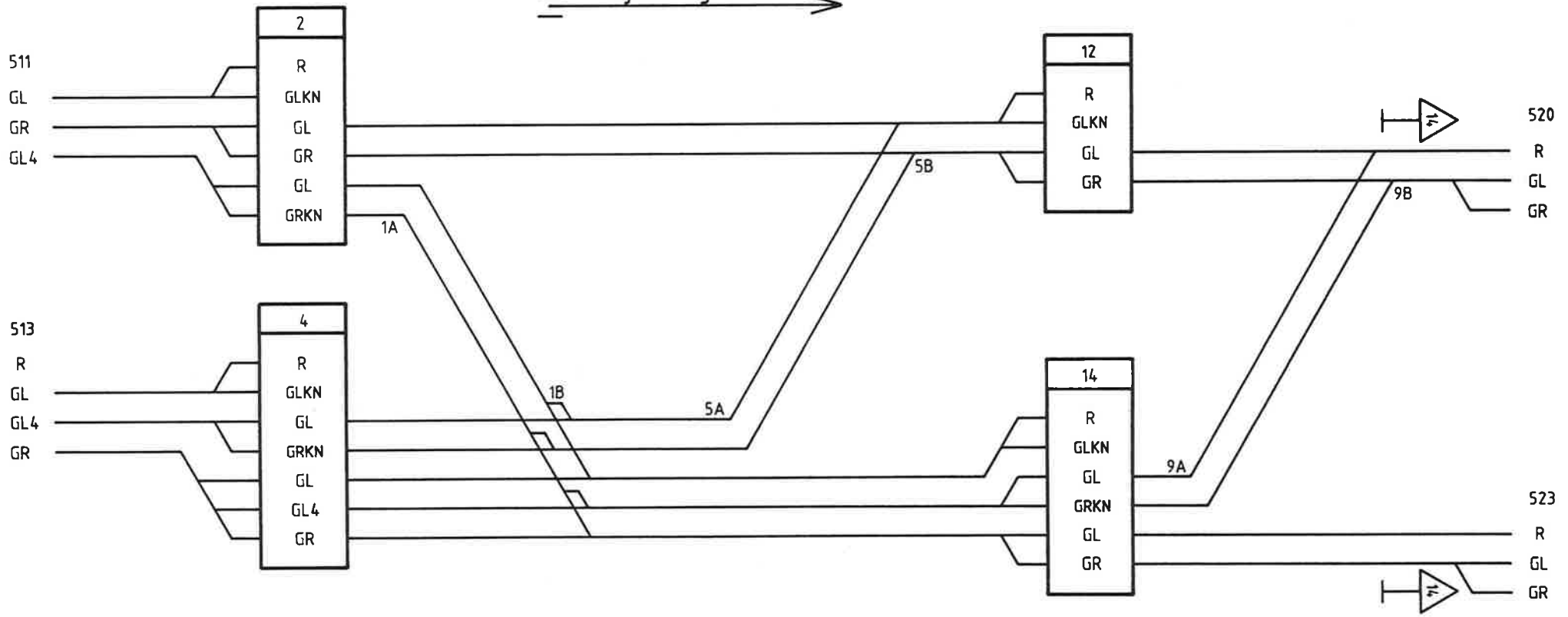
NX Station Waalwijk



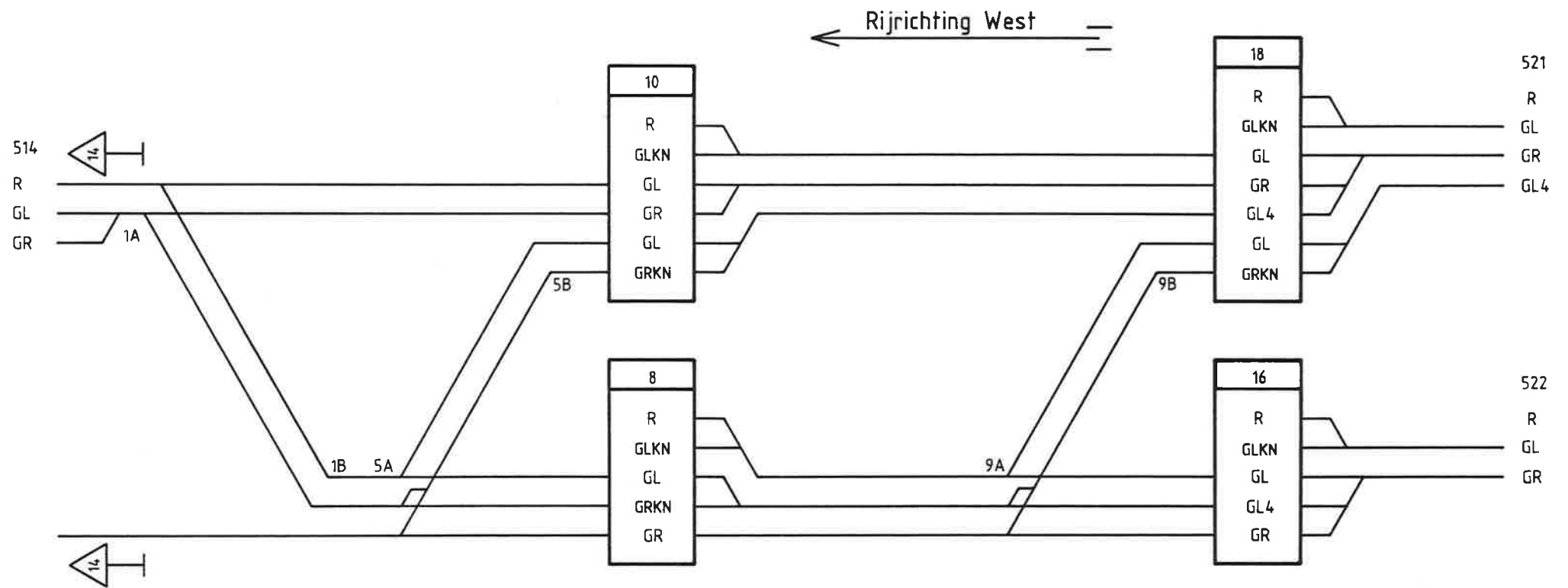
- * wissels 1:9
- * remwegen voldoende

	25-11-'85
Waalwijk NX	OBE-blad

Rijrichting Oost →



	26-11-'85
Seinbeeldenkaart	OS-bl.1
Ootelijke rijrichting	



	26-11-'85
Seinbeeldenkaart	OS-bl.2
Westelijke rijrichting	



○
AARDE

○
STROOMVOORZIENING

○
CODEGEVER



OMGELEGD
NORMAAL

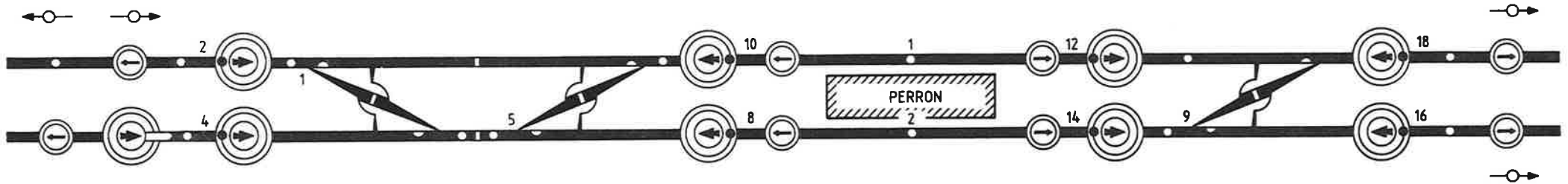


WISSELS
VRIJMAKEN



LAAG
SEIN
VERLICHTING
HOOG

Waalwijk



12-12-'85

Overzicht toestel

Begin- en eindknoptoestel

OT-bl.1



AARDE

STROOMVOORZIENING

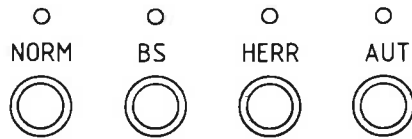
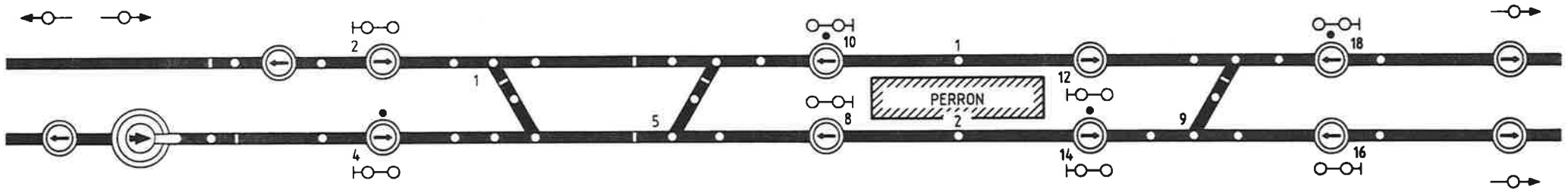
CODEGEVER



OMGELEGD
NORMAAL

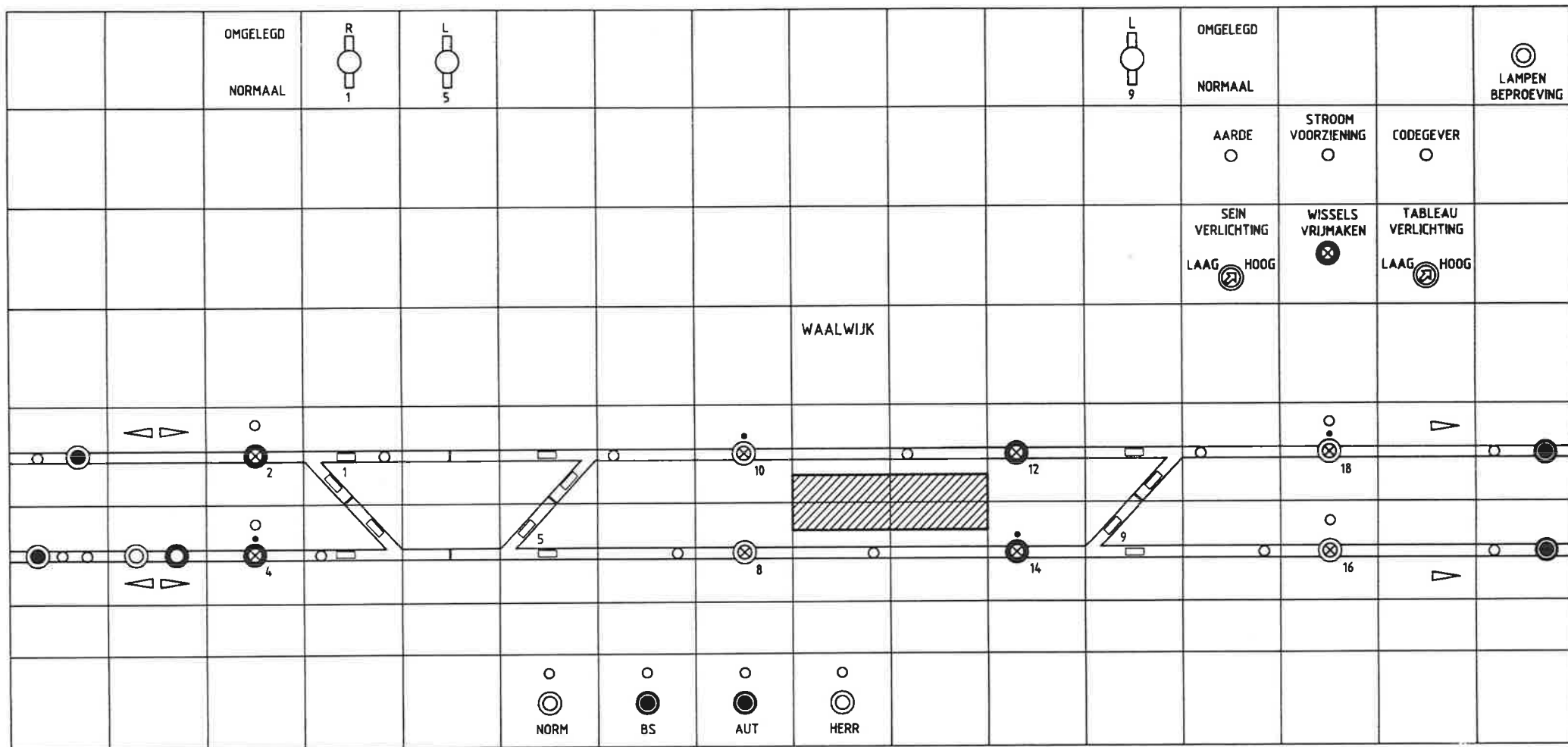


Waalwijk

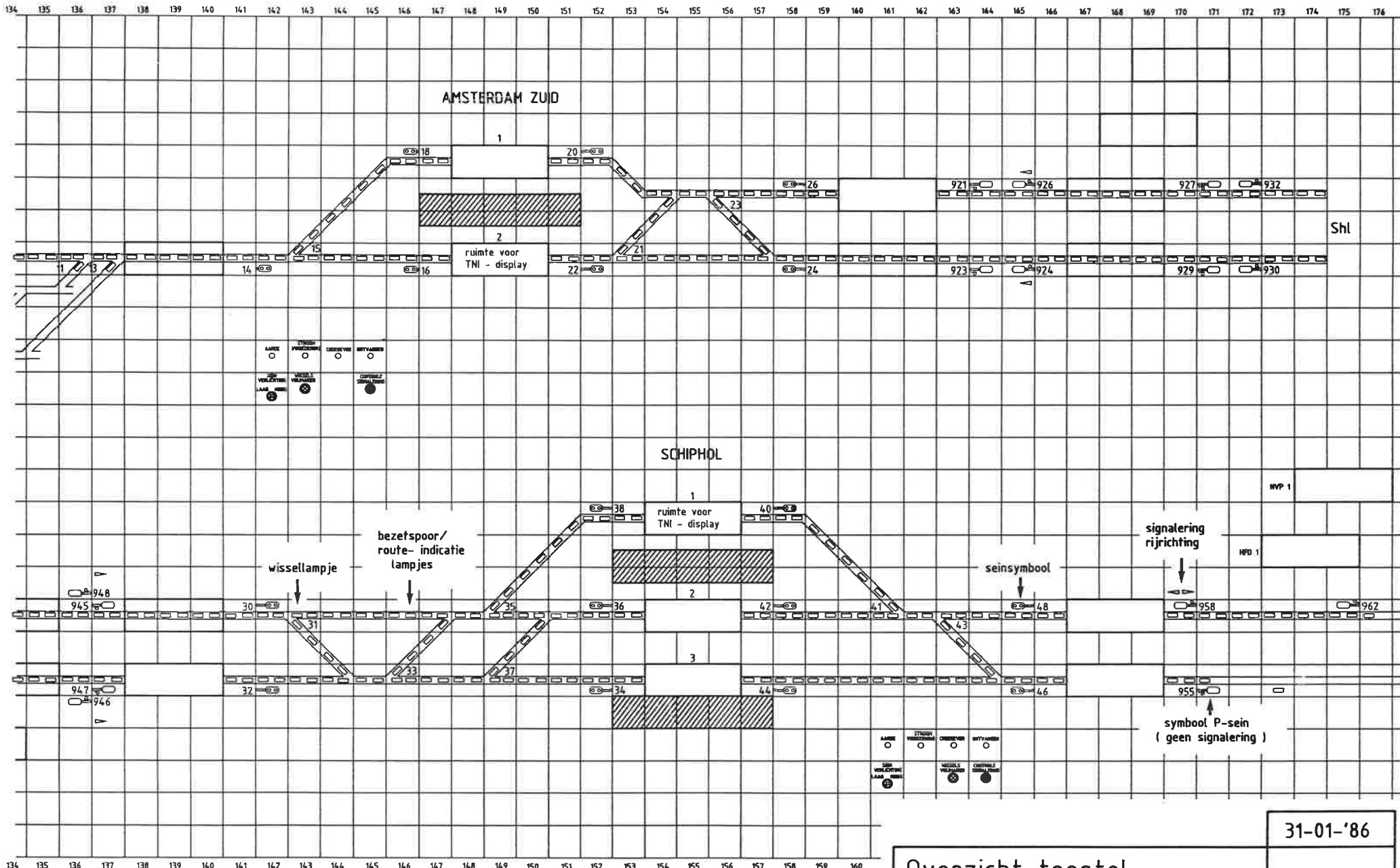


07-01-'86

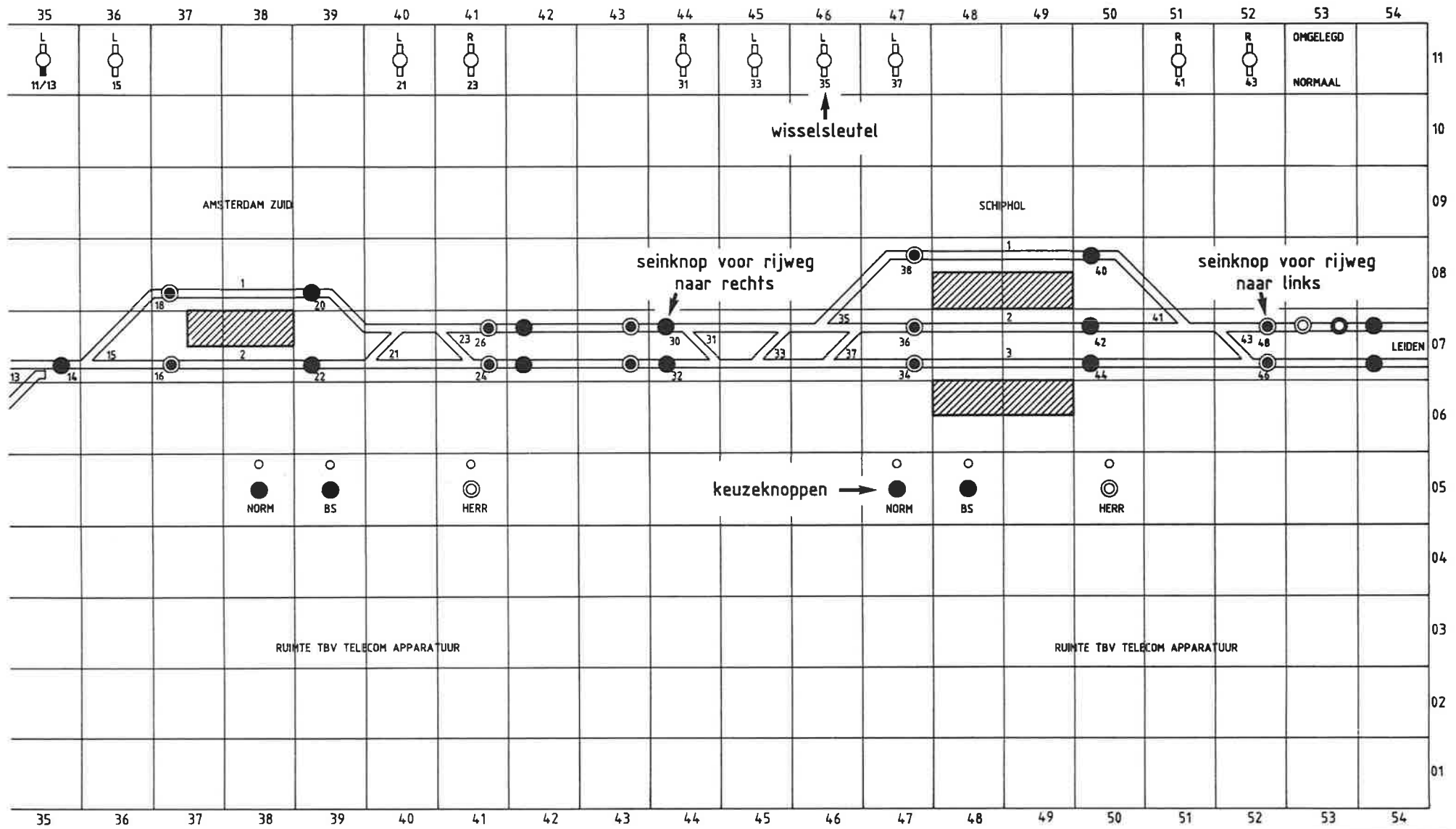
Overzicht toestel	OT-bl.2
Keuzeknoptoestel	



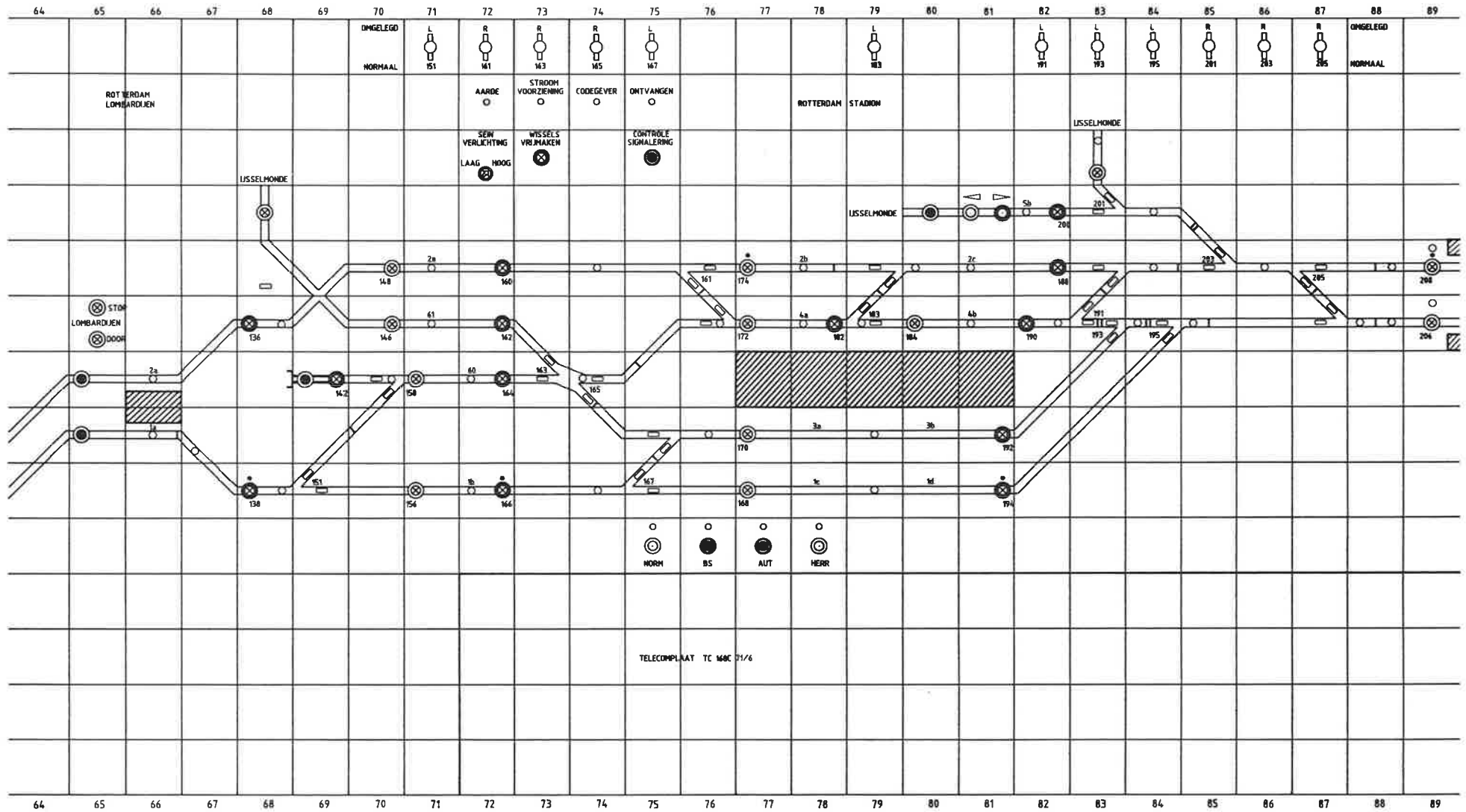
	13-01-'86
Overzicht toestel	OT-bl.3
Integra met vereenvoudigd bedieningstoestel	



Overzicht toestel Integra- signaleringstoestel	31-01-'86 OT-bl.4A
---	-----------------------

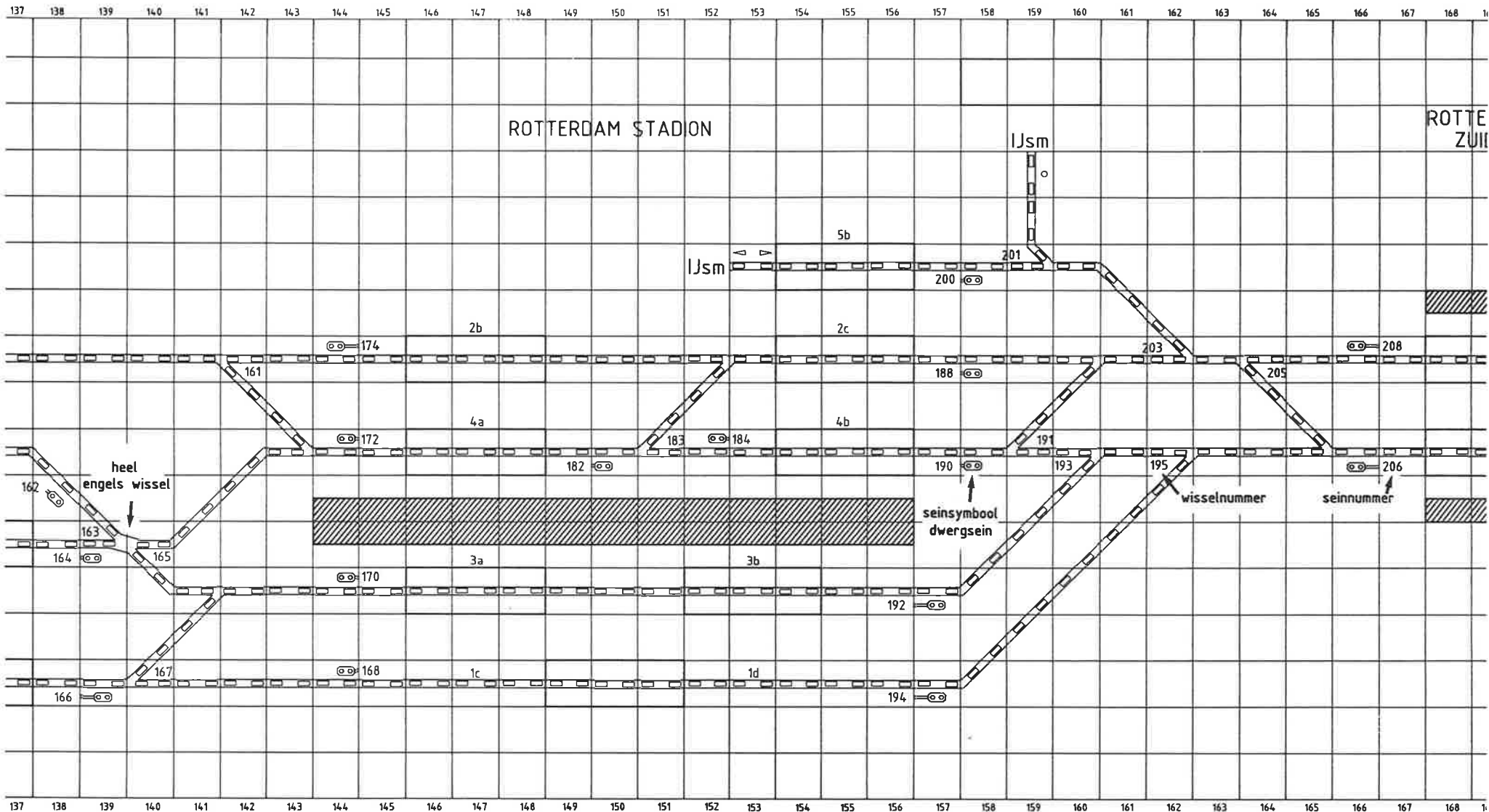


Overzicht toestel		04-02-'86
Integra "blind" bedieningstoestel alle signaleringen op signaleringstoestel		OT-bl.4B



Overzicht toestel
 Integra-bedieningstoestel
 waarbij routesignalering op signaleringstoestel gegeven wordt

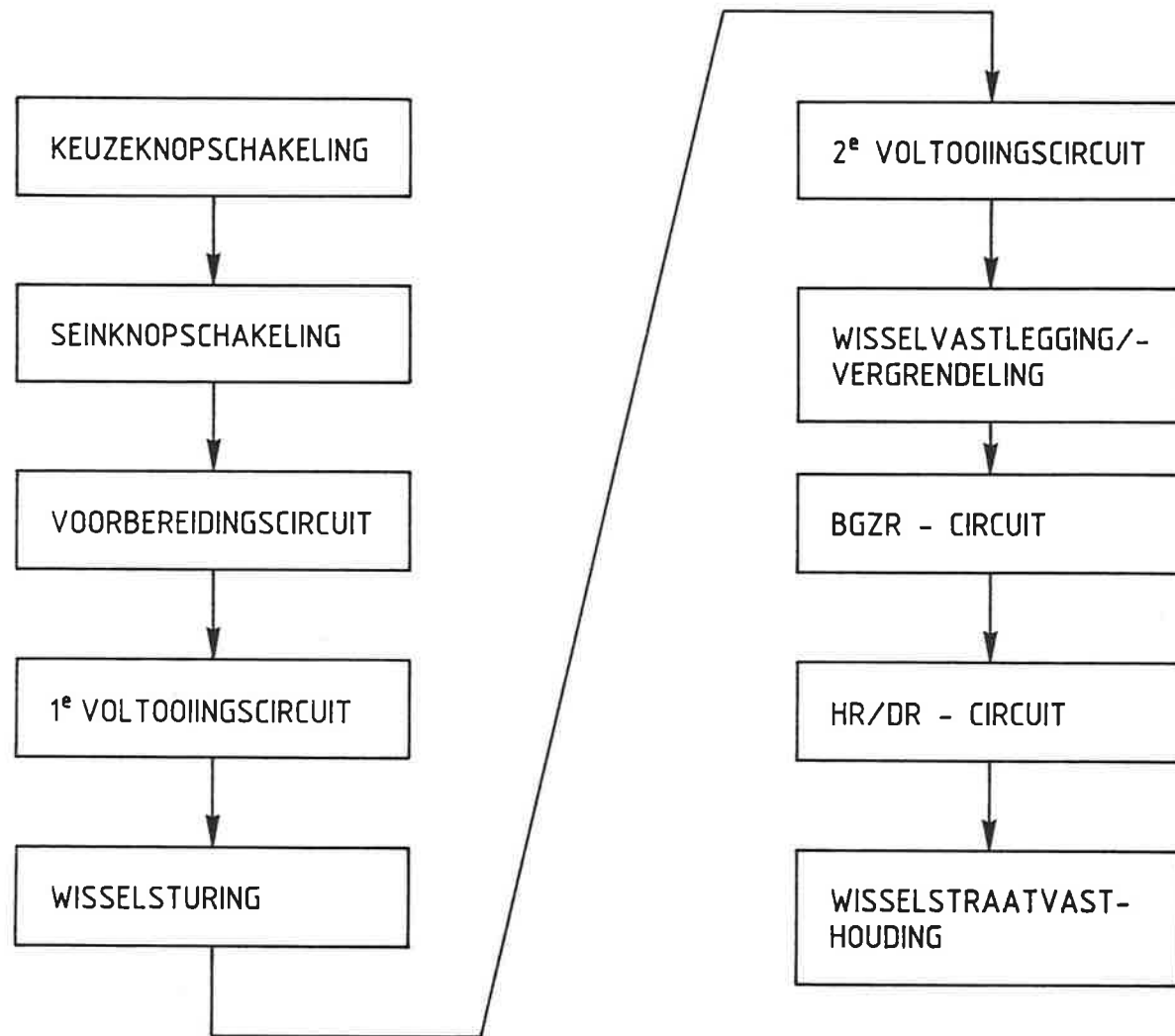
13-02-'86
 OT-bl.5A



Overzicht toestel
 Integra- signaleringstoestel

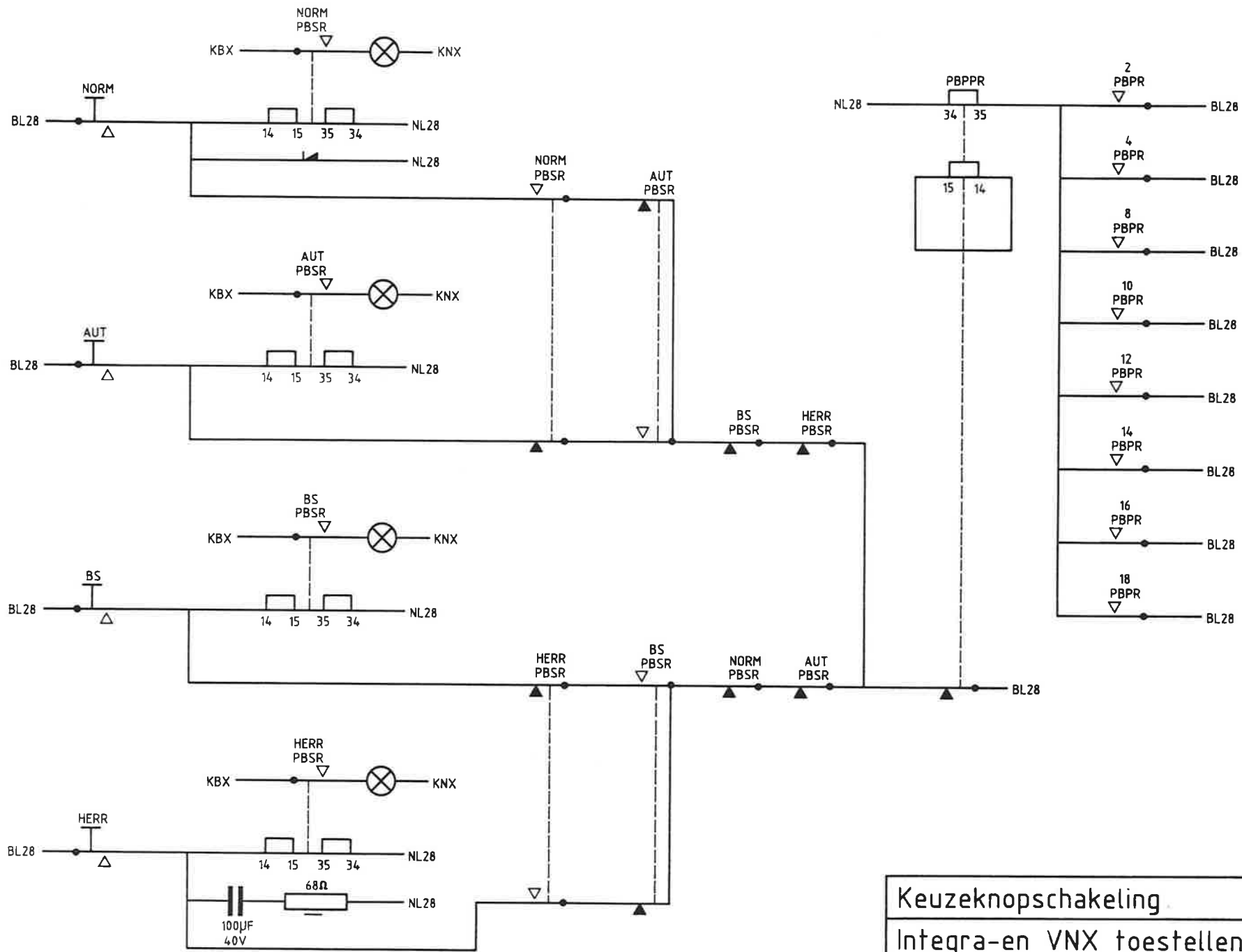
17-03-'86

OT-bl.5B



27-11-'85

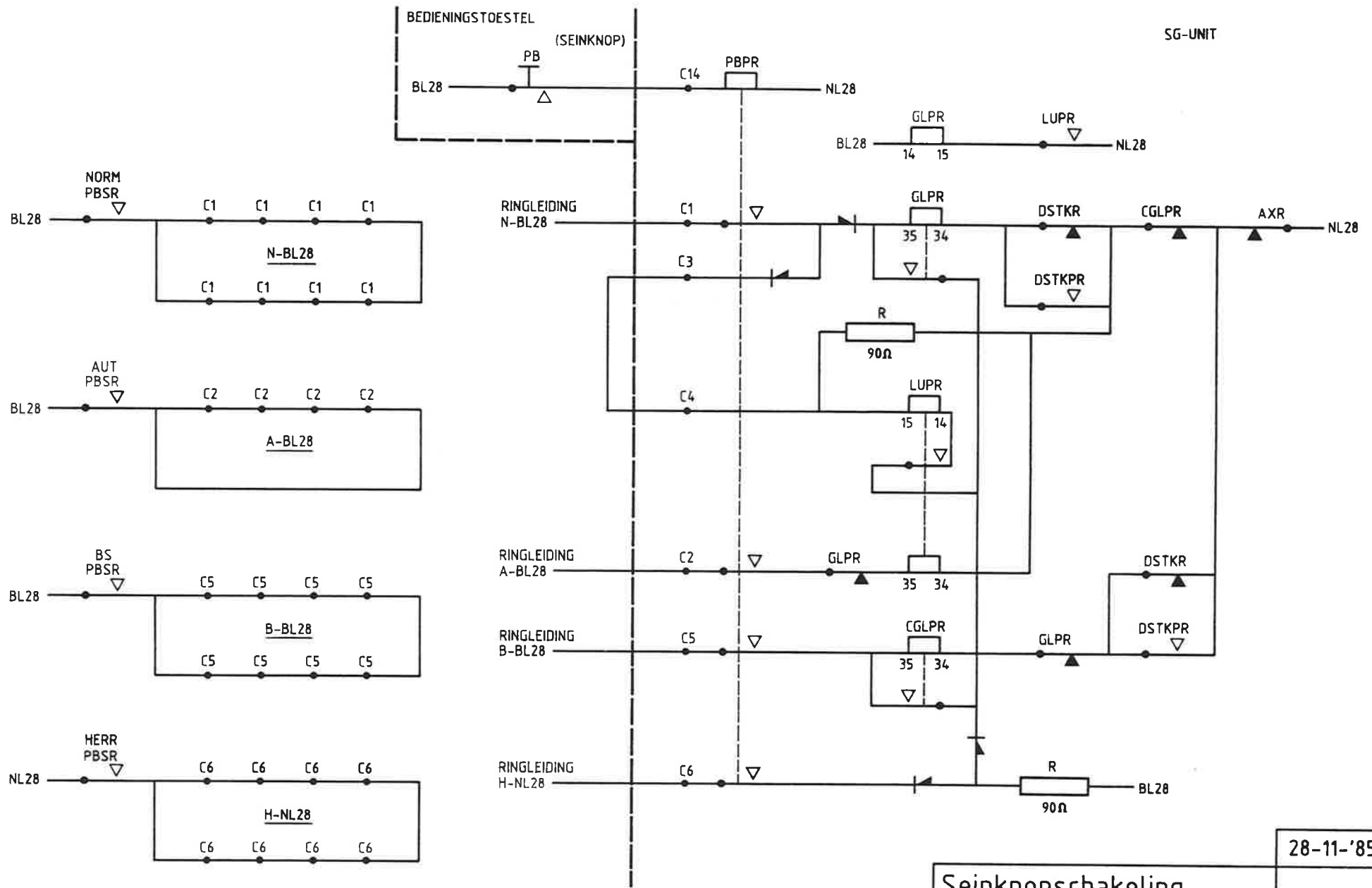
Blokschematisch overzicht van
de NX - schakelingen syst.'68



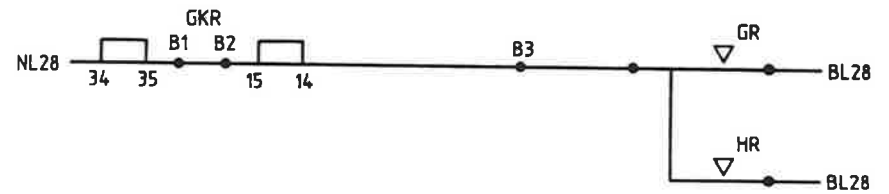
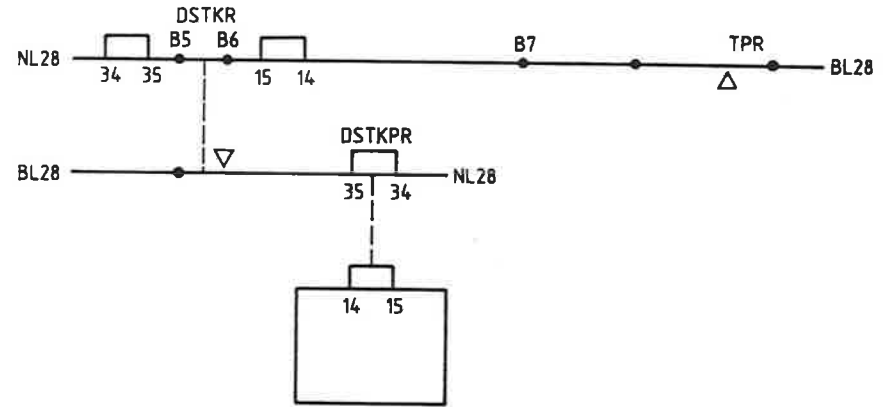
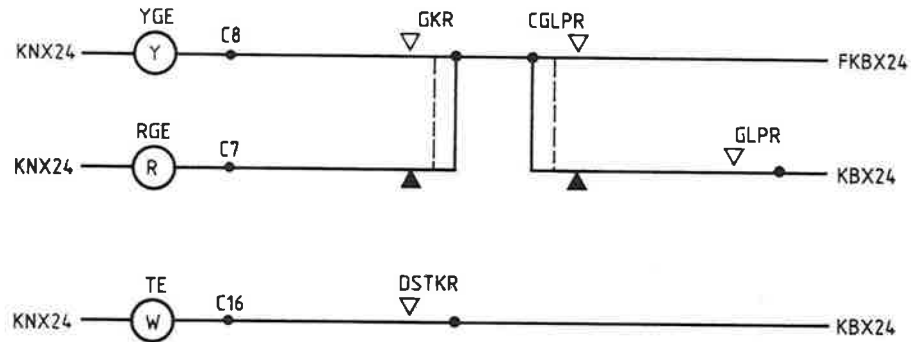
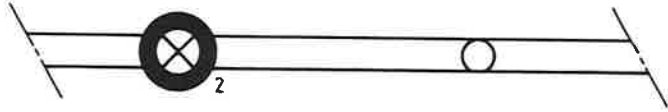
27-11-'85

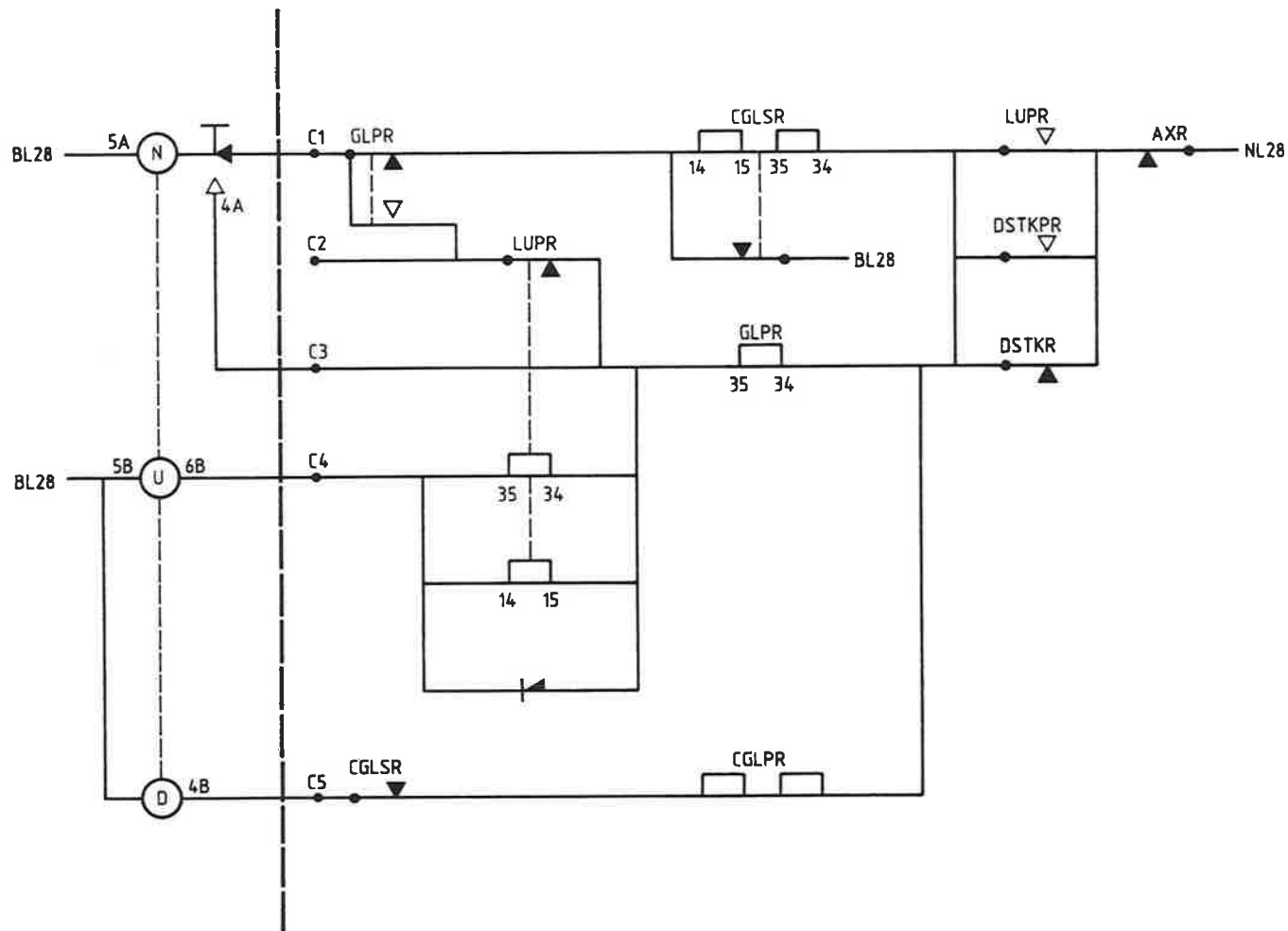
Keuzeknopschakeling
 Integra-en VNX toestellen

S-bl.150



Seinknopschakeling	28-11-'85
Integra- en VNX toestel	S-bl.101

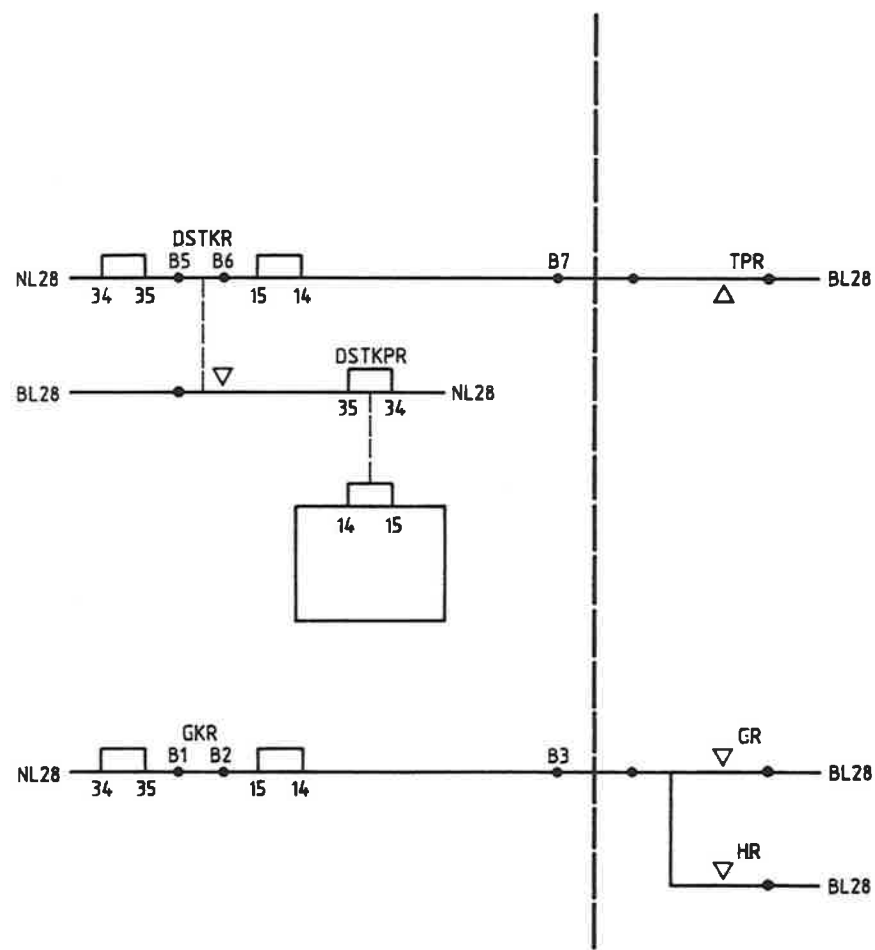
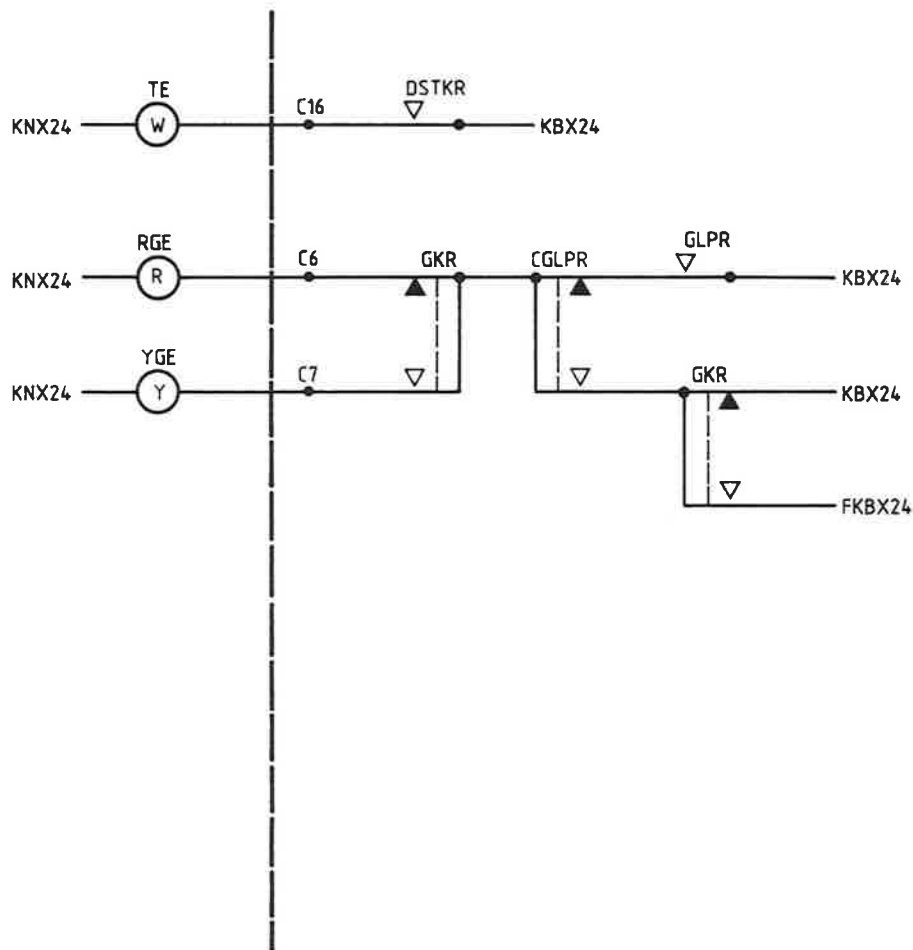




29-11-'85

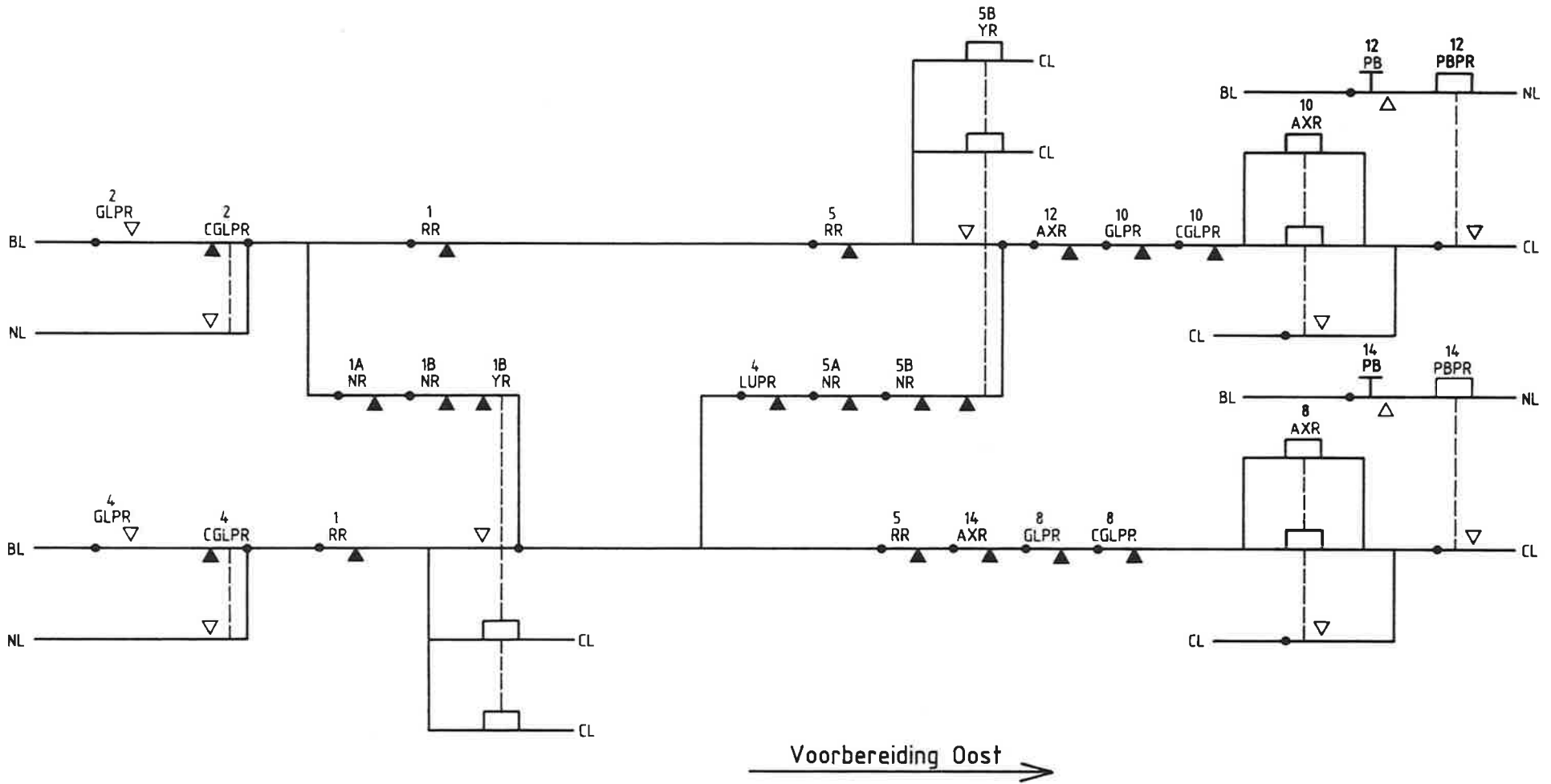
Beginknopschakeling
 Begin- en eindknoptoeistel

S-bl.104

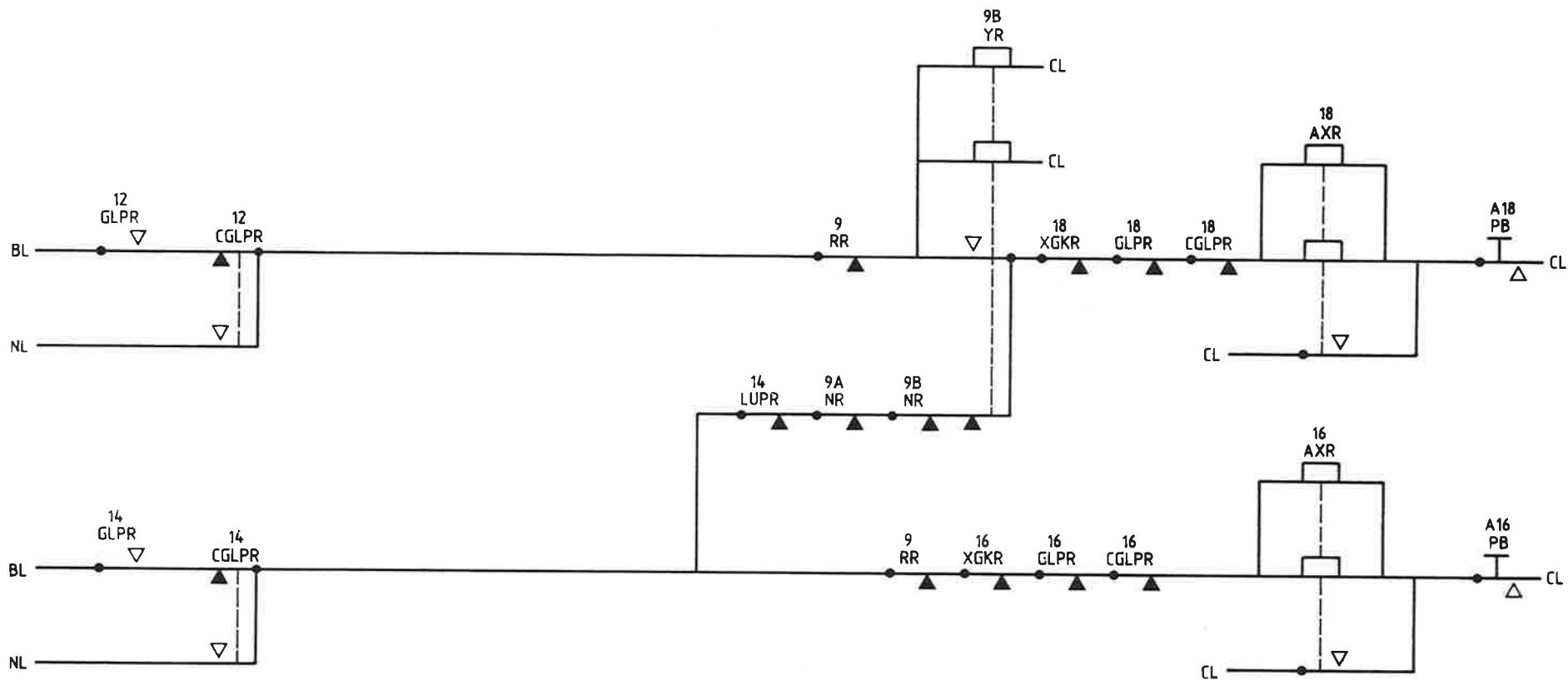


Signalering beginknopschakeling
 Begin- en eindknop toestel

03-12-'85
S-bl.105

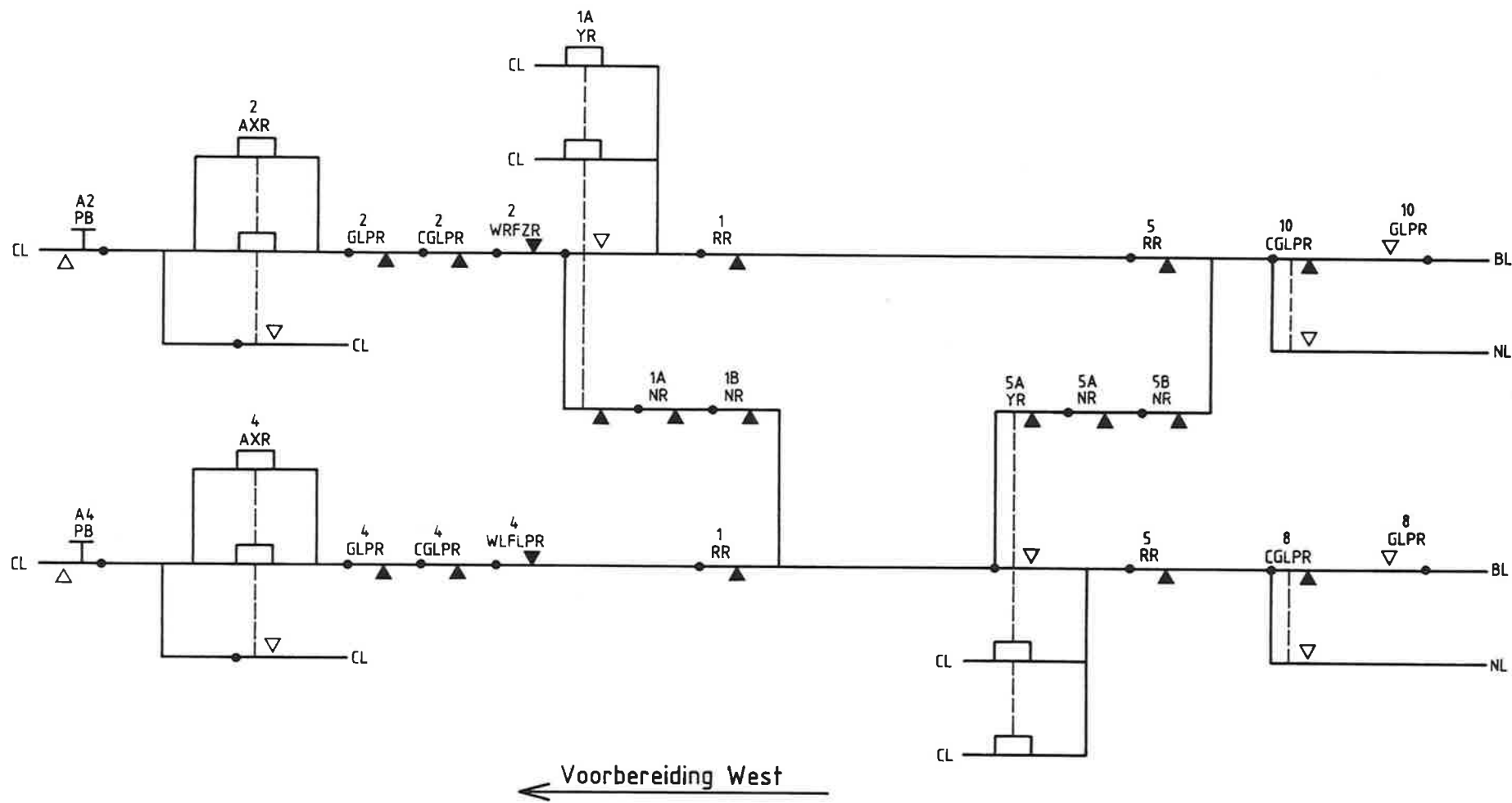


	03-12-'85
Vorbereidingscircuit West-Oost	S-bl.106
Integra- en VNX-toestel	A

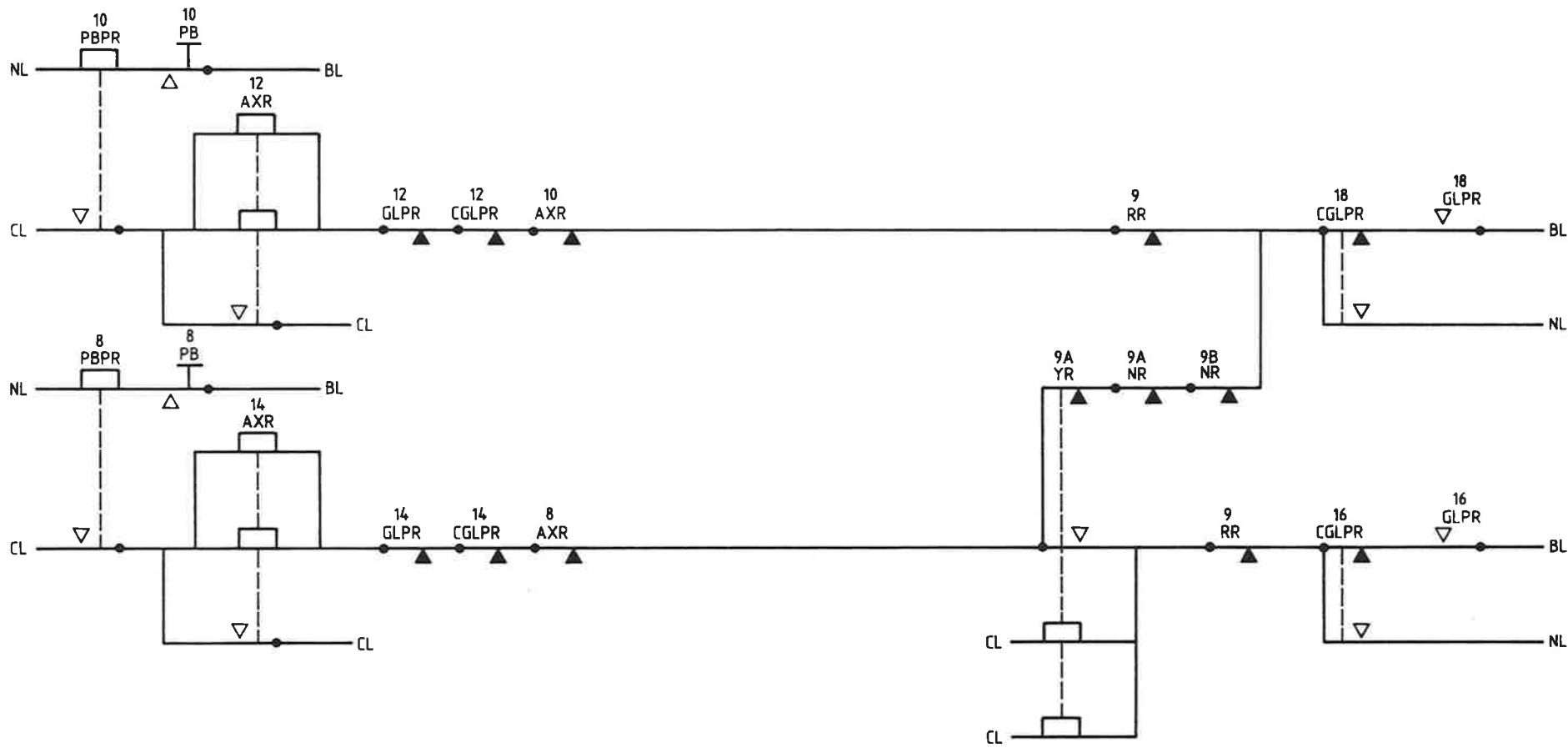


Voorbereiding Oost →

	04-12-'85
Voorbereidingscircuit West-Oost	S-bl.107
Intergra- en VNX-toestel	A

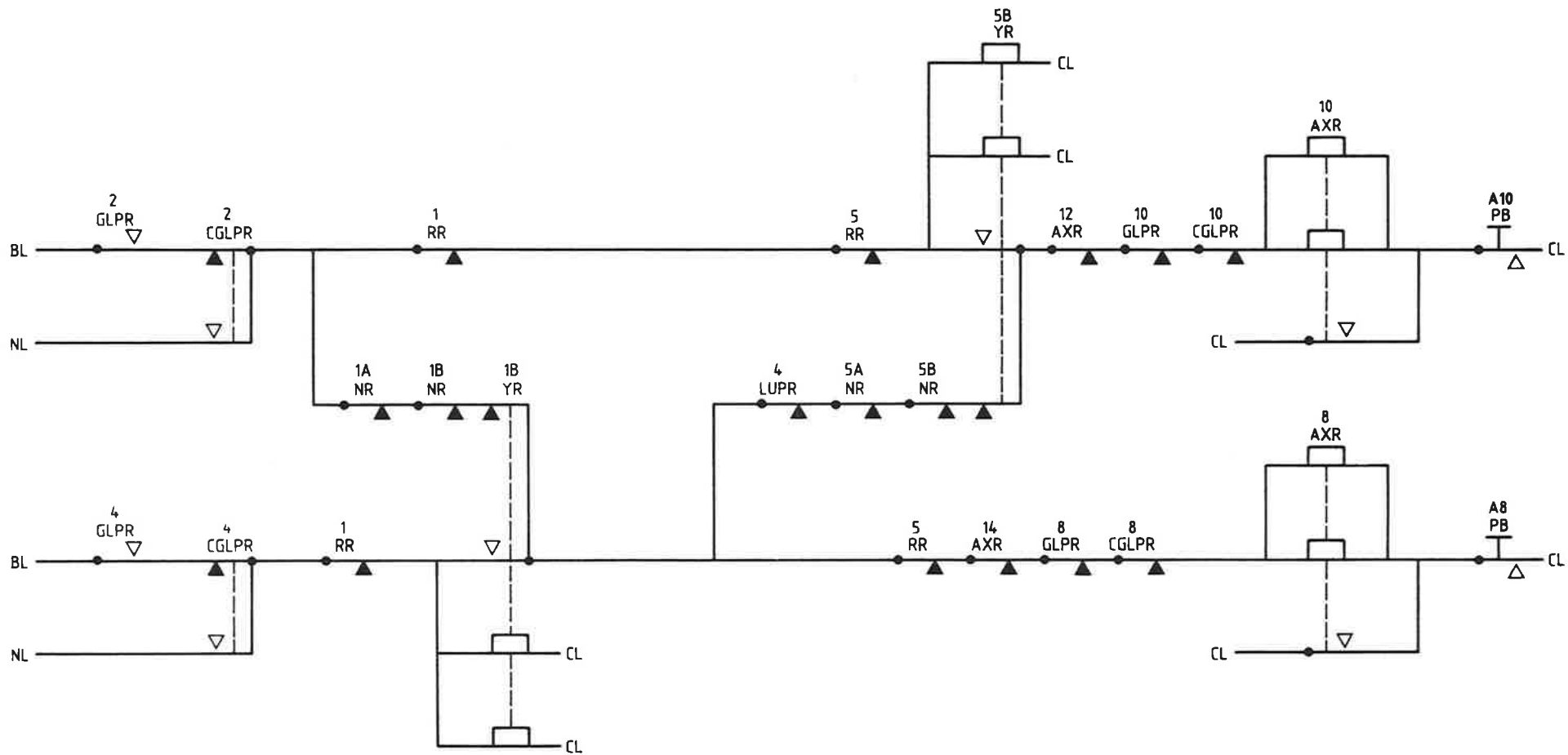


	04-12-'85
Vorbereidingscircuit Oost-West	S-bl.108
Integra- en VNX-toestel	A



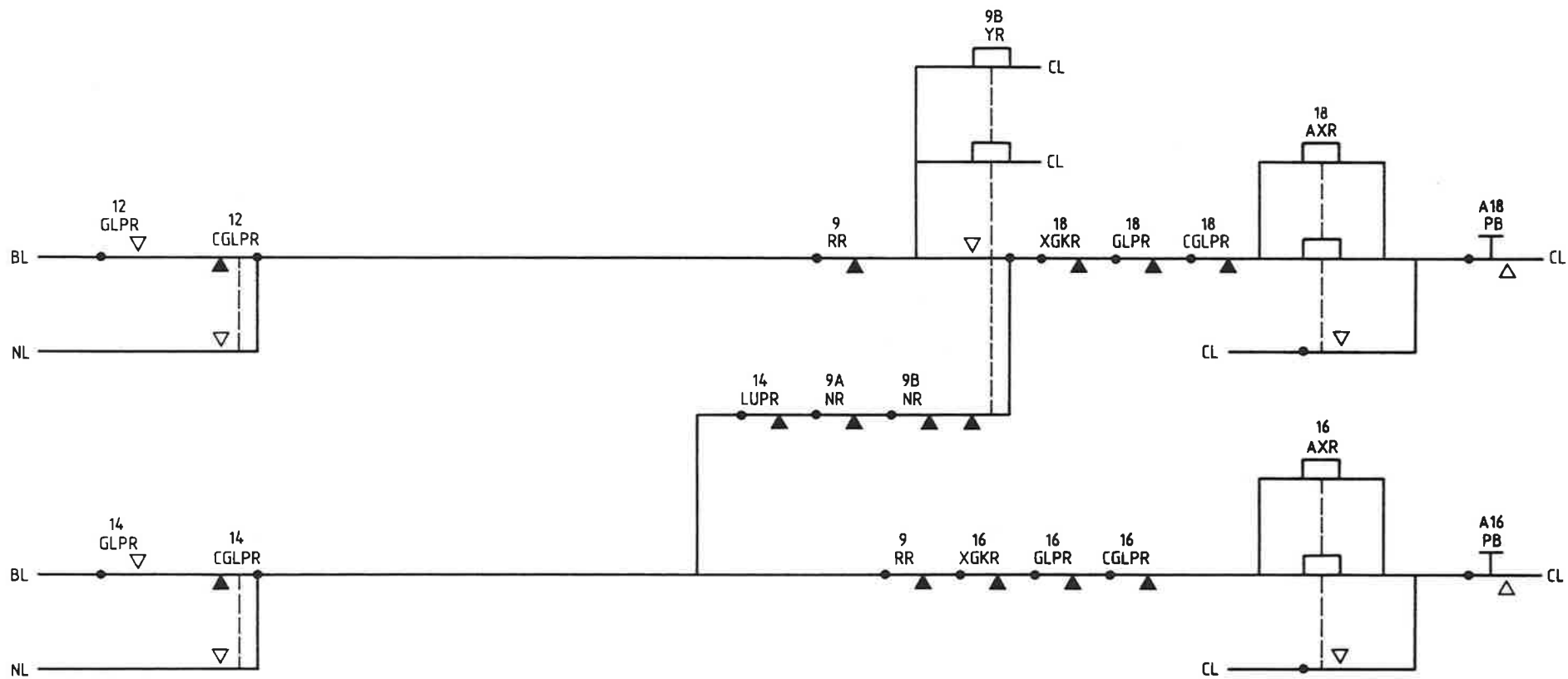
← Voorbereiding West

	05-12-'85
Voorbereidingscircuit Oost-West	S-bl.109
Integra- en VNX-toestel	A



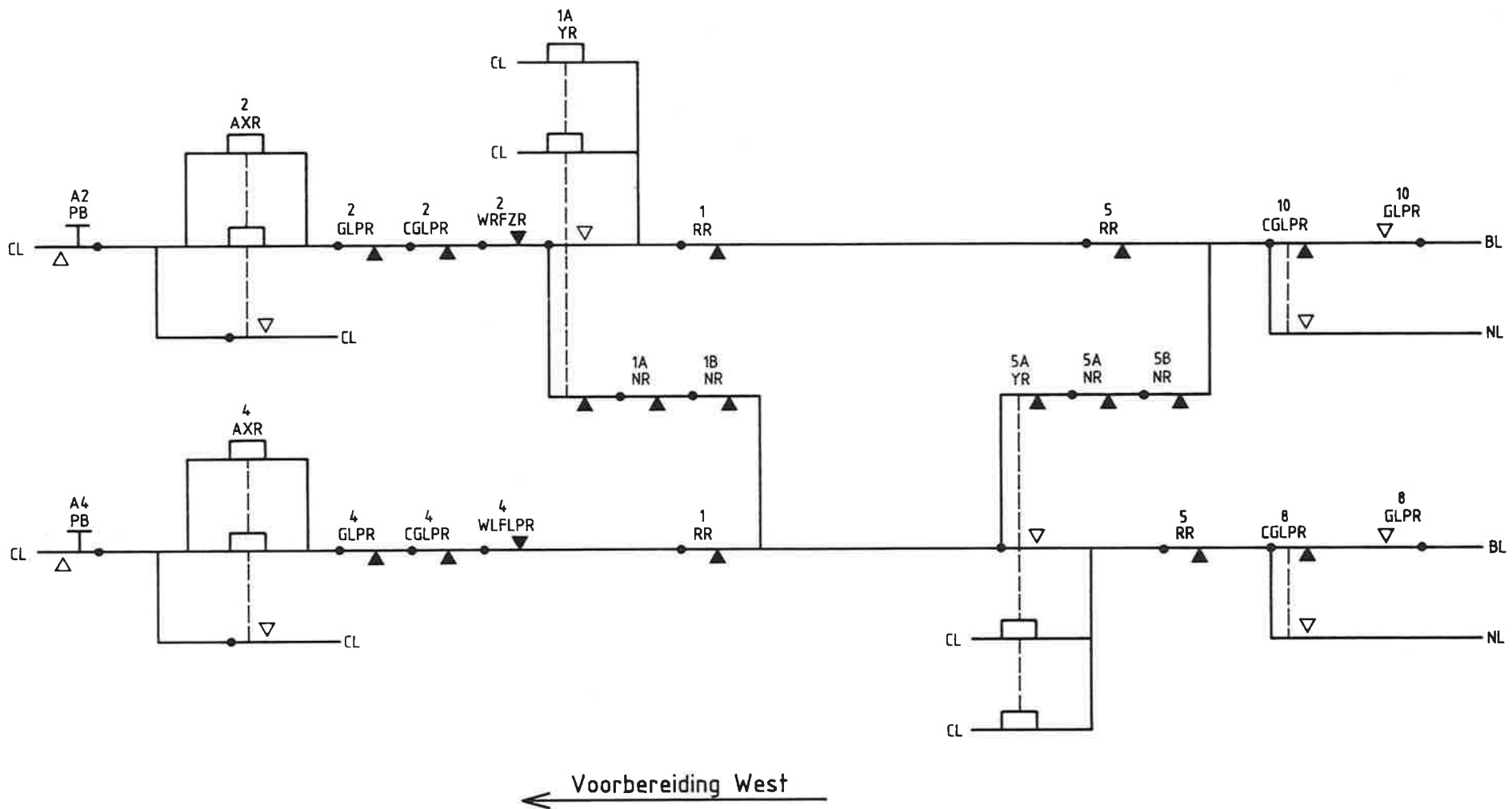
Voorbereiding Oost →

	05-12-'85
Voorbereidingscircuit West-Oost	S-bl.106
Begin- en eindknoptoestel	B

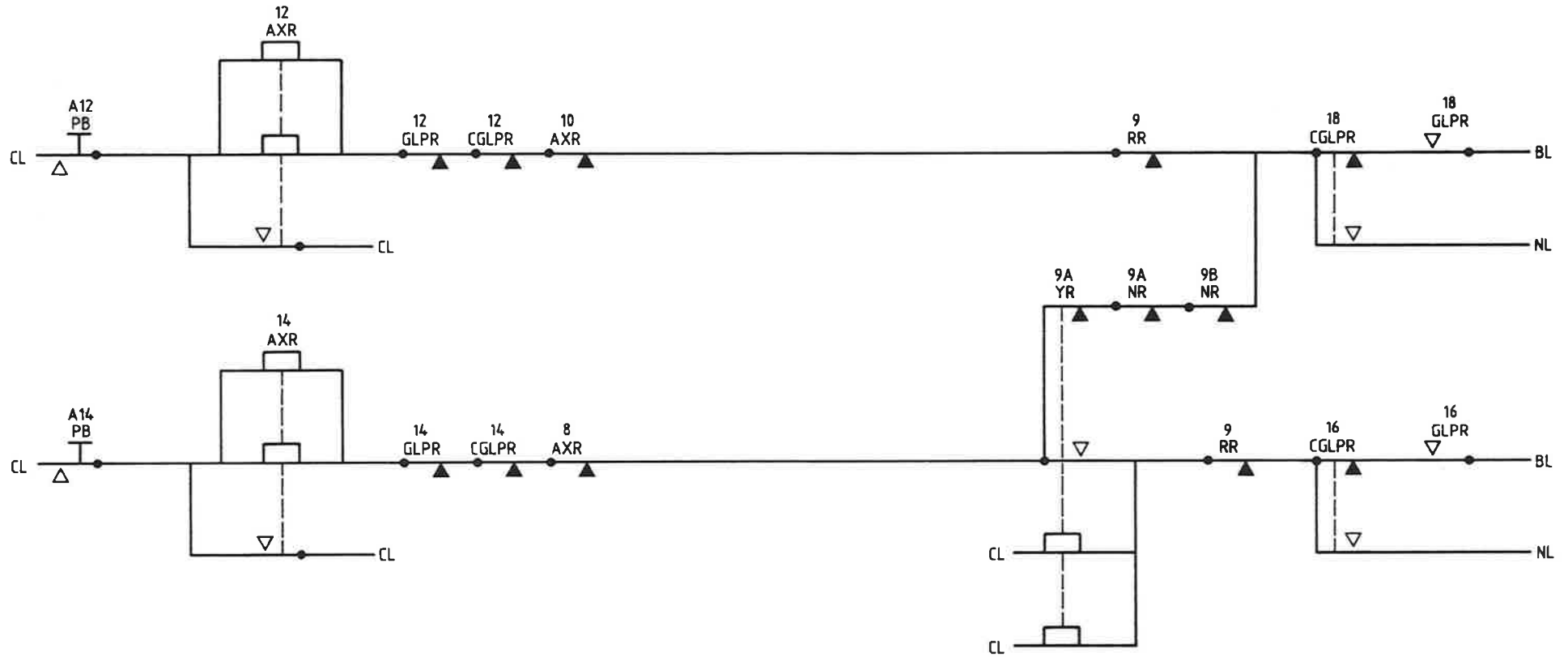


Vorbereitung Oost →

	09-12-'85
Vorbereidingscircuit West-Oost	S-bl.107
Begin- en eindknoptoestel	B

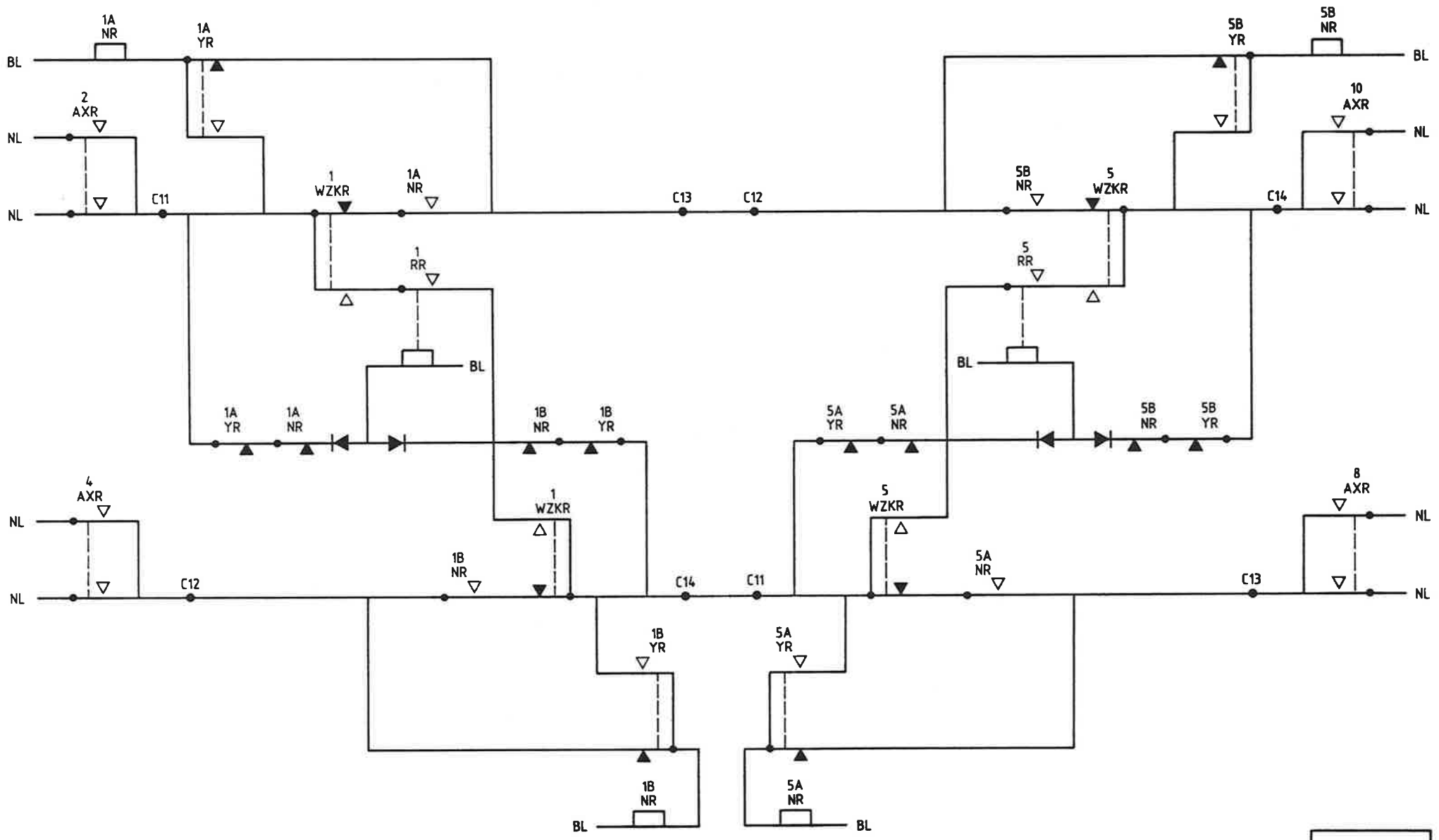


	09-12-'85
Vorbereidingscircuit Oost-West	S-bl.108
Begin- en eindknoptoestel	B



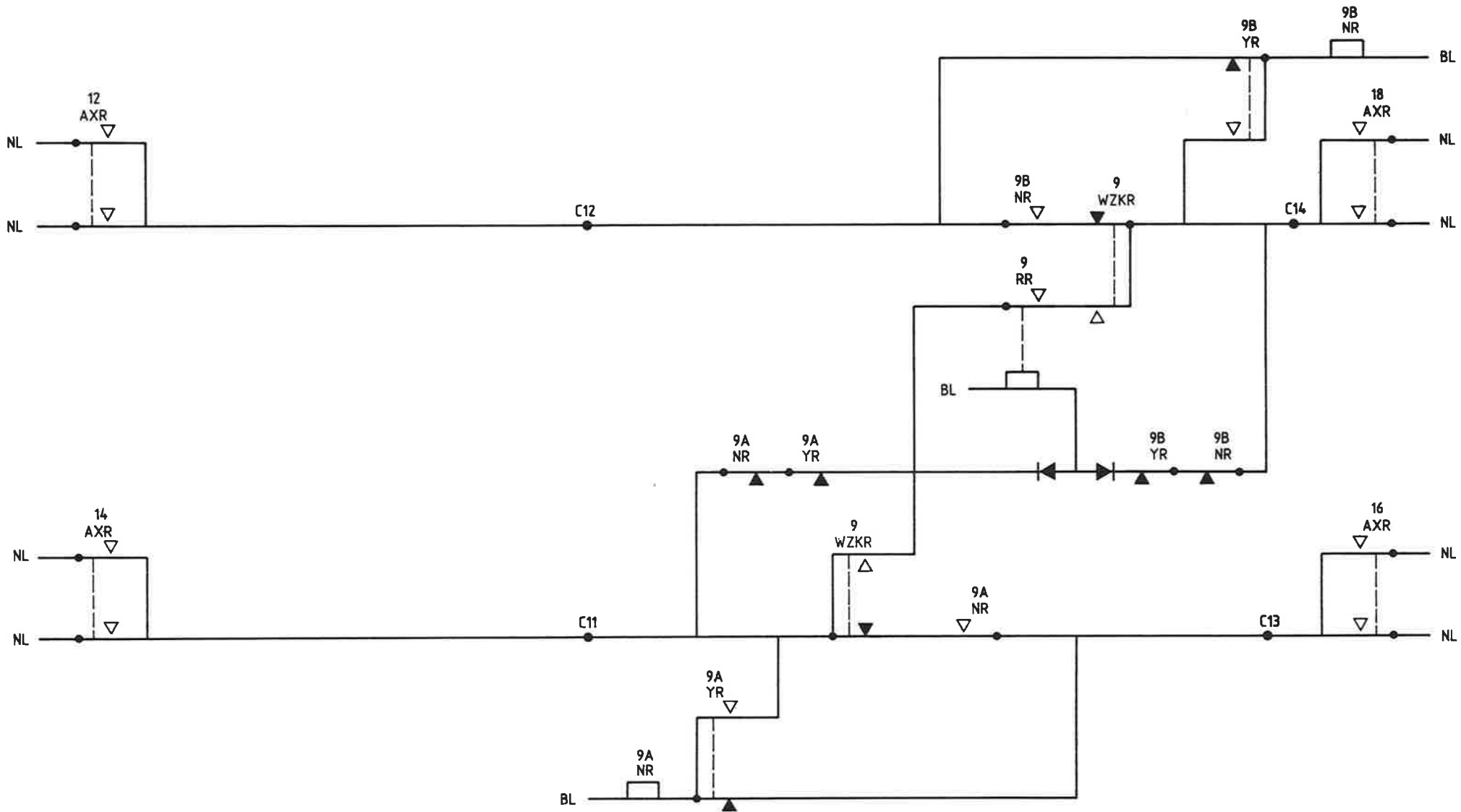
← Voorbereiding West

	09-12-'85
Voorbereidingscircuit Oost-West	S-bl.109
Begin- en eindknoptoestel	B



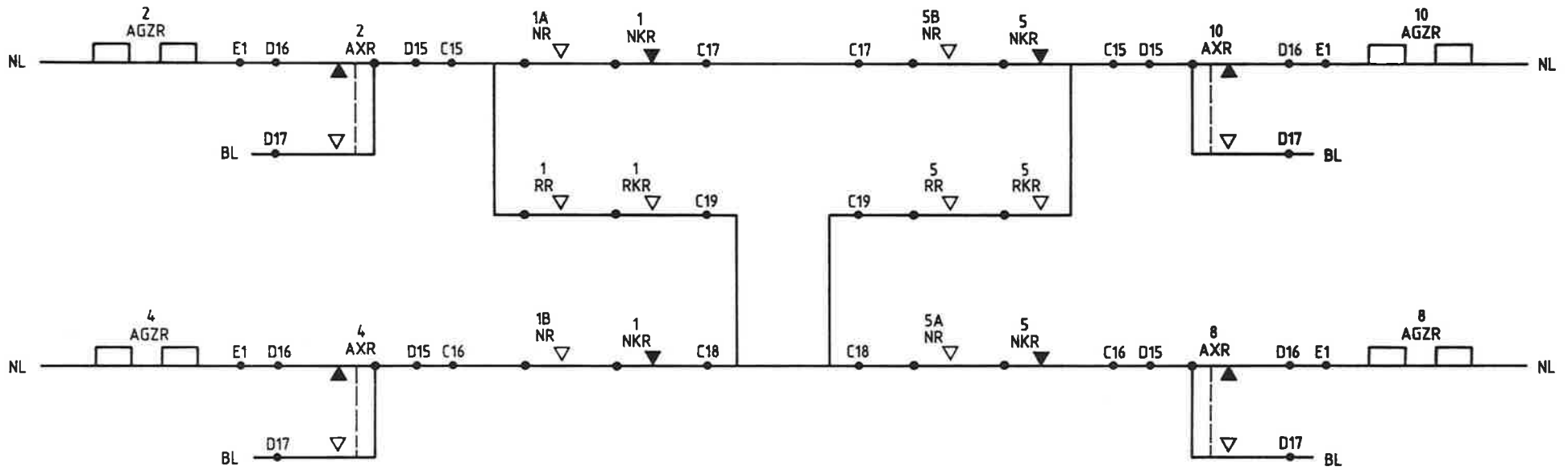
19-03-'86

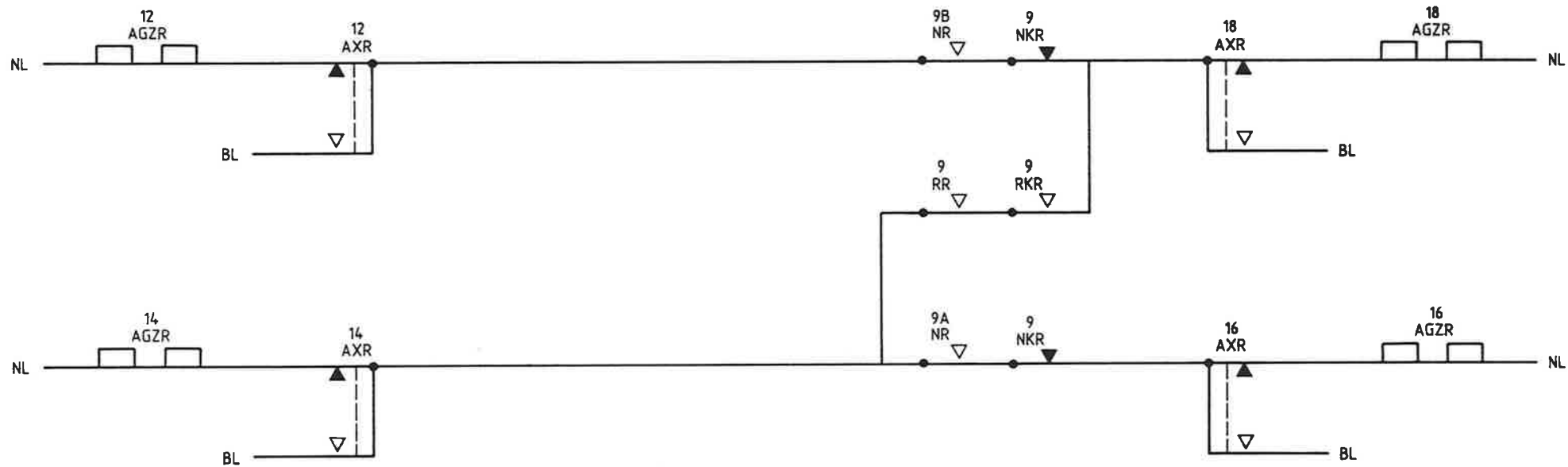
1^e voltooingscircuit S-bl.201



19-03-'86

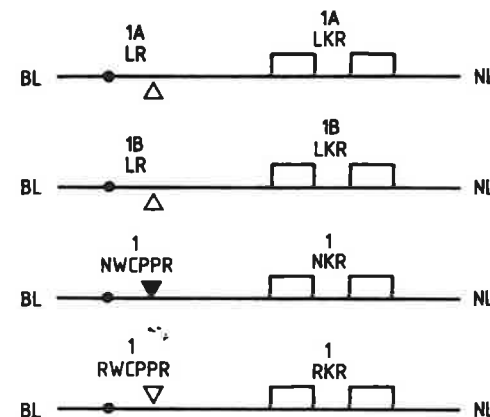
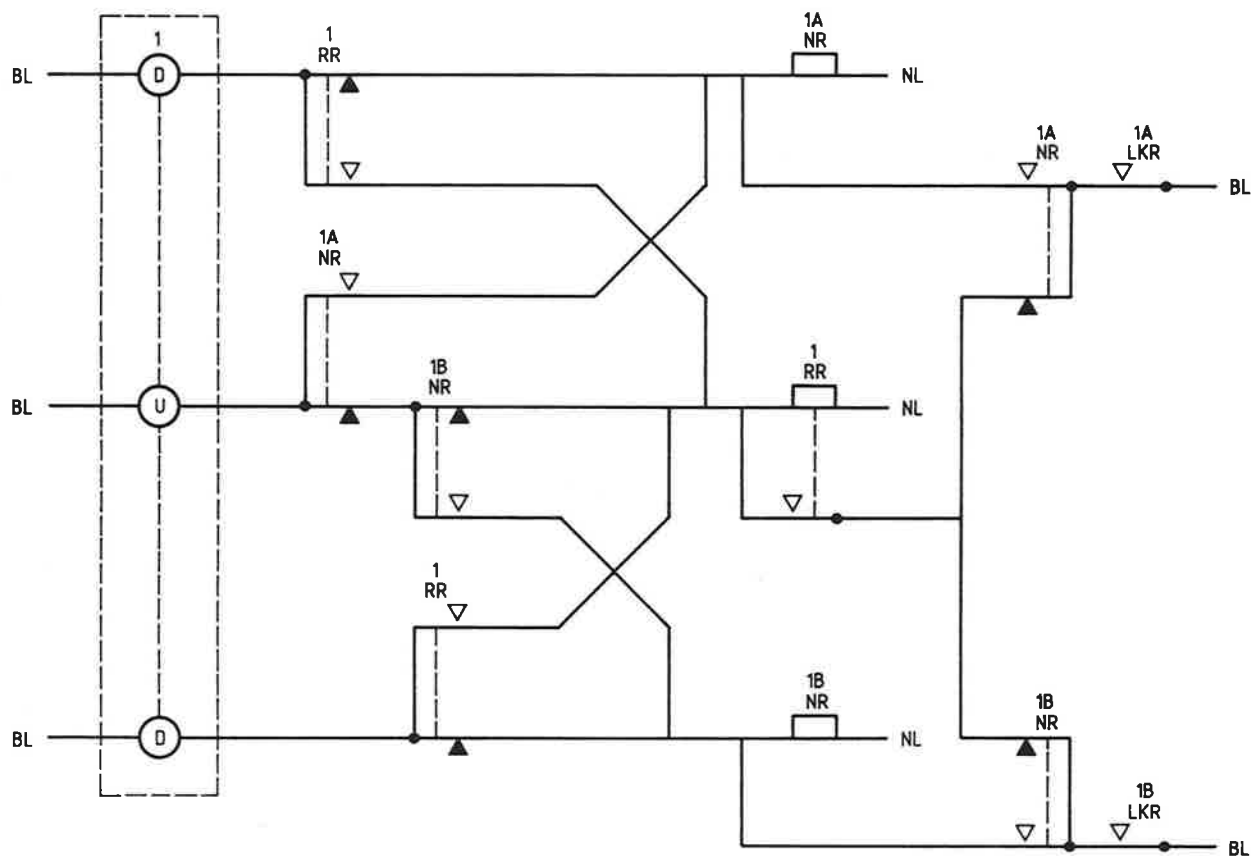
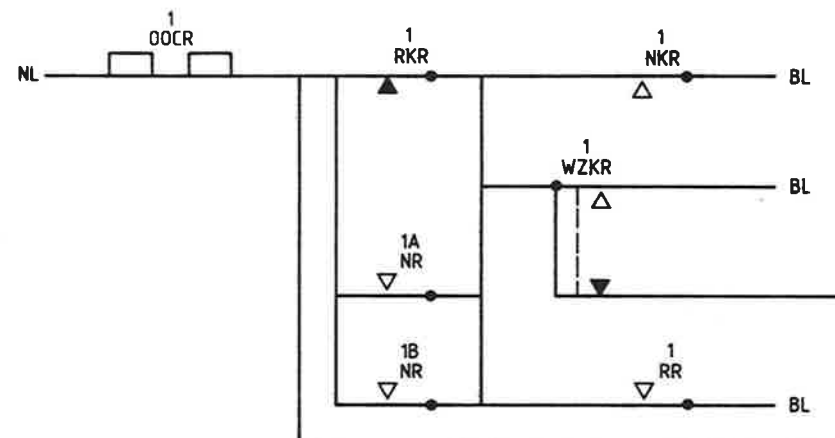
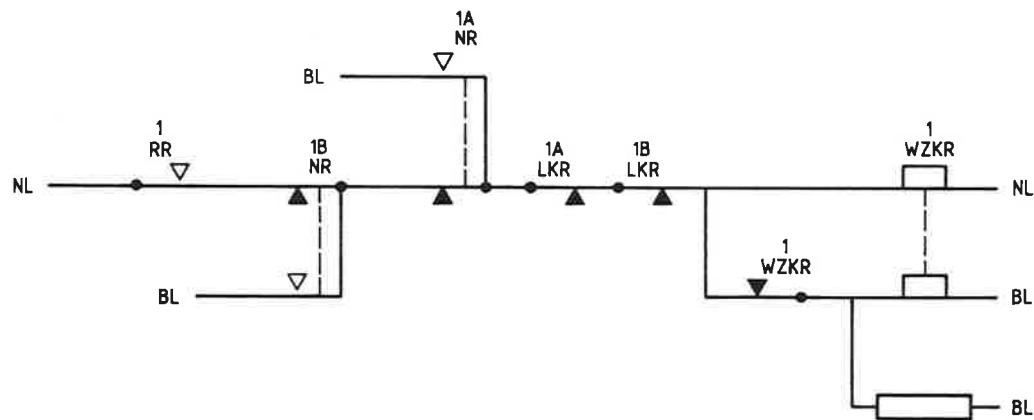
1^e voltooingscircuit S-bl.202



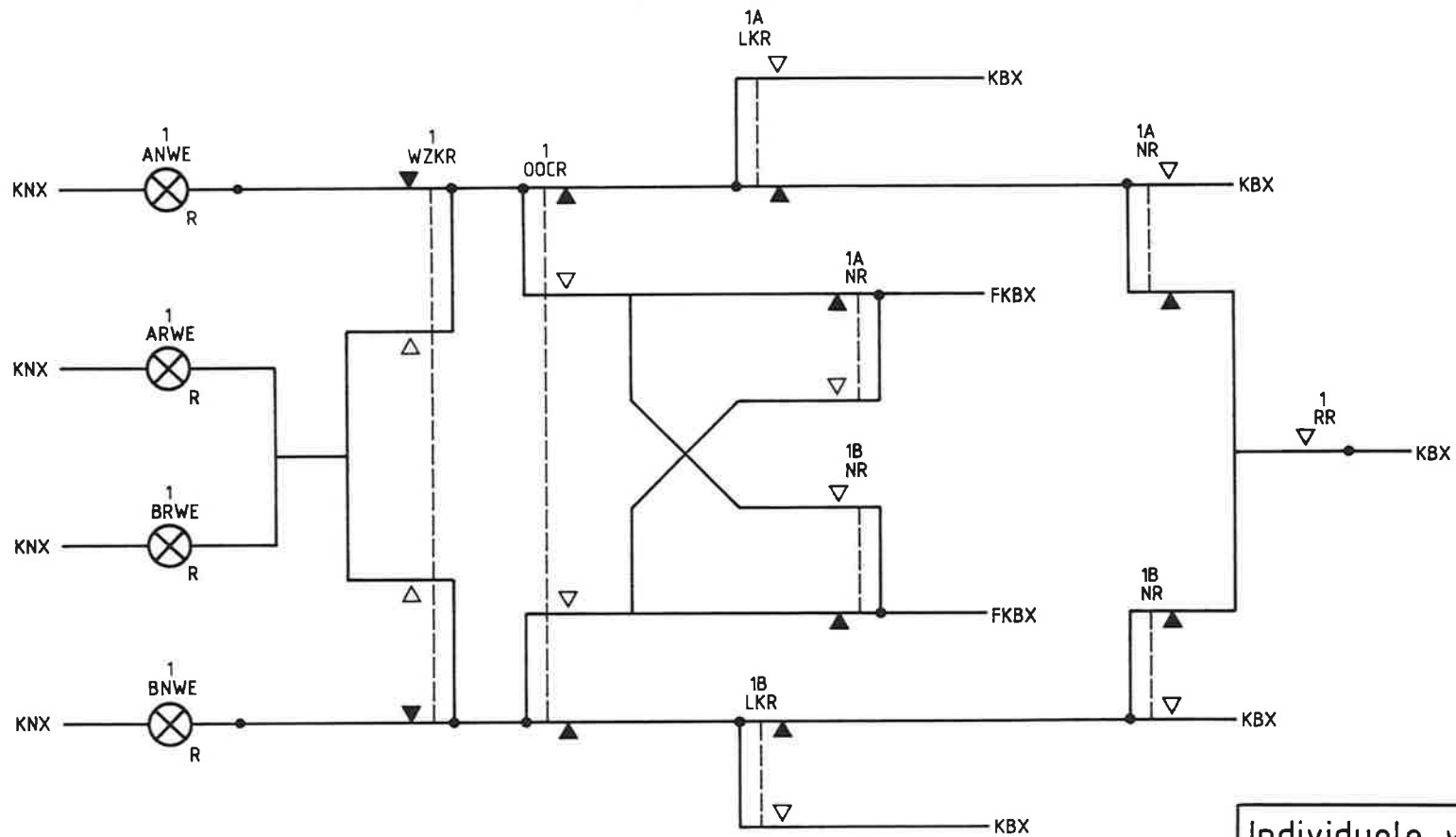
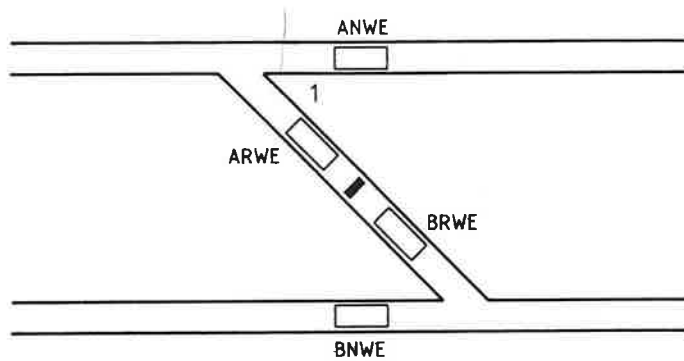


25-03-'86

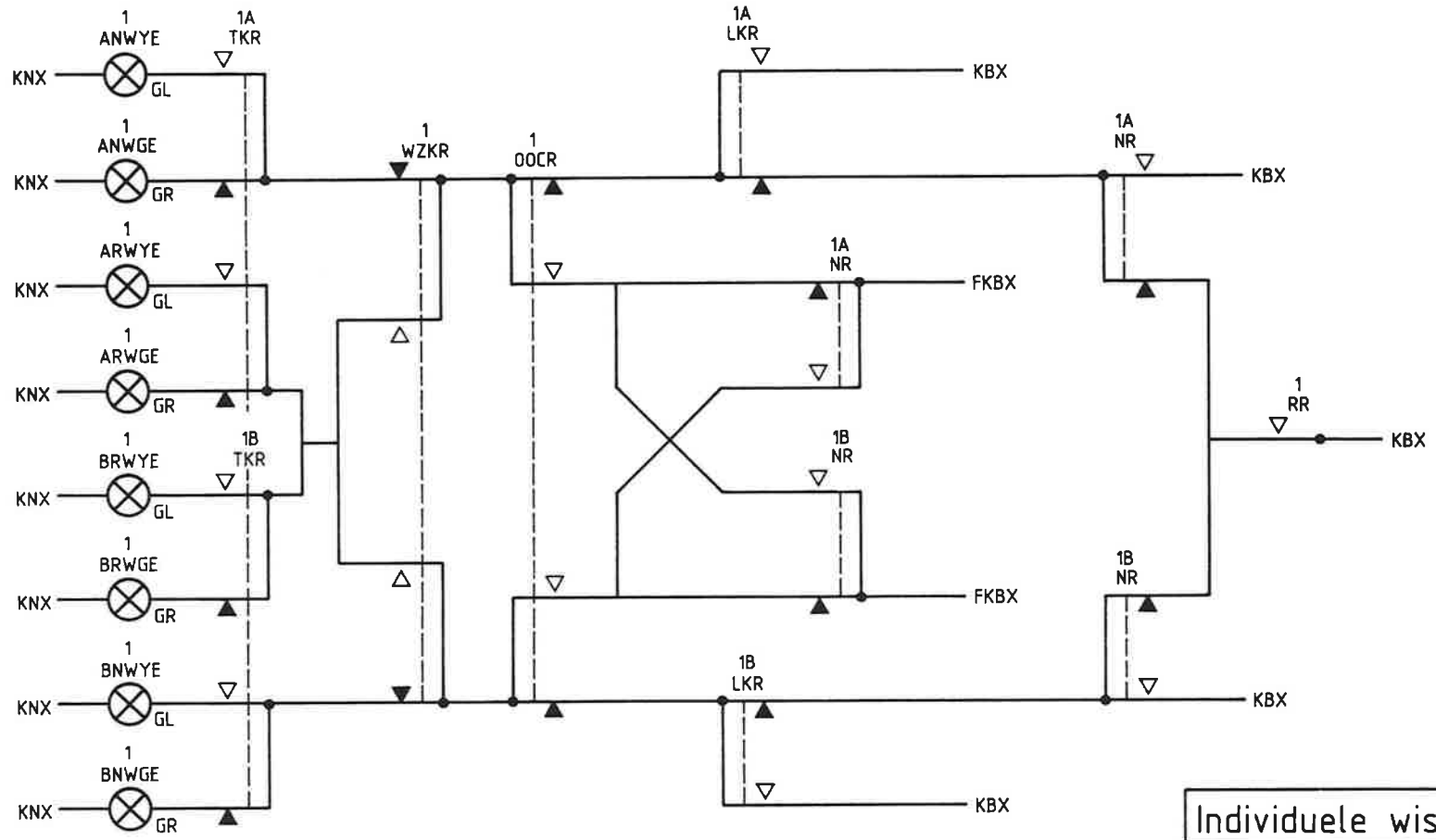
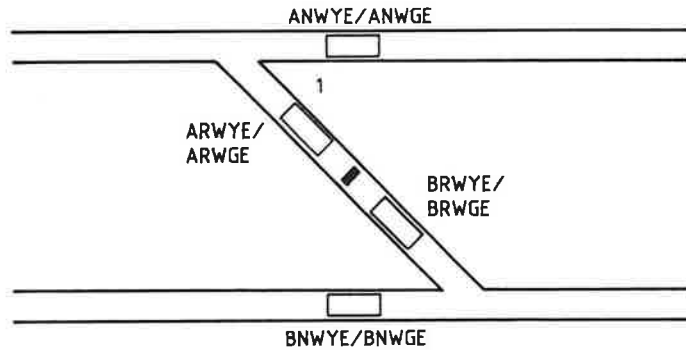
2^e voltooingscircuit S-bl.252



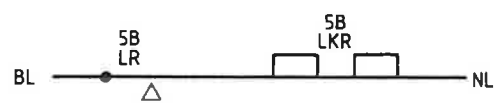
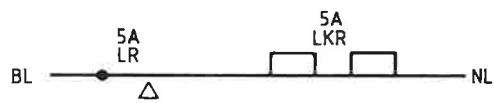
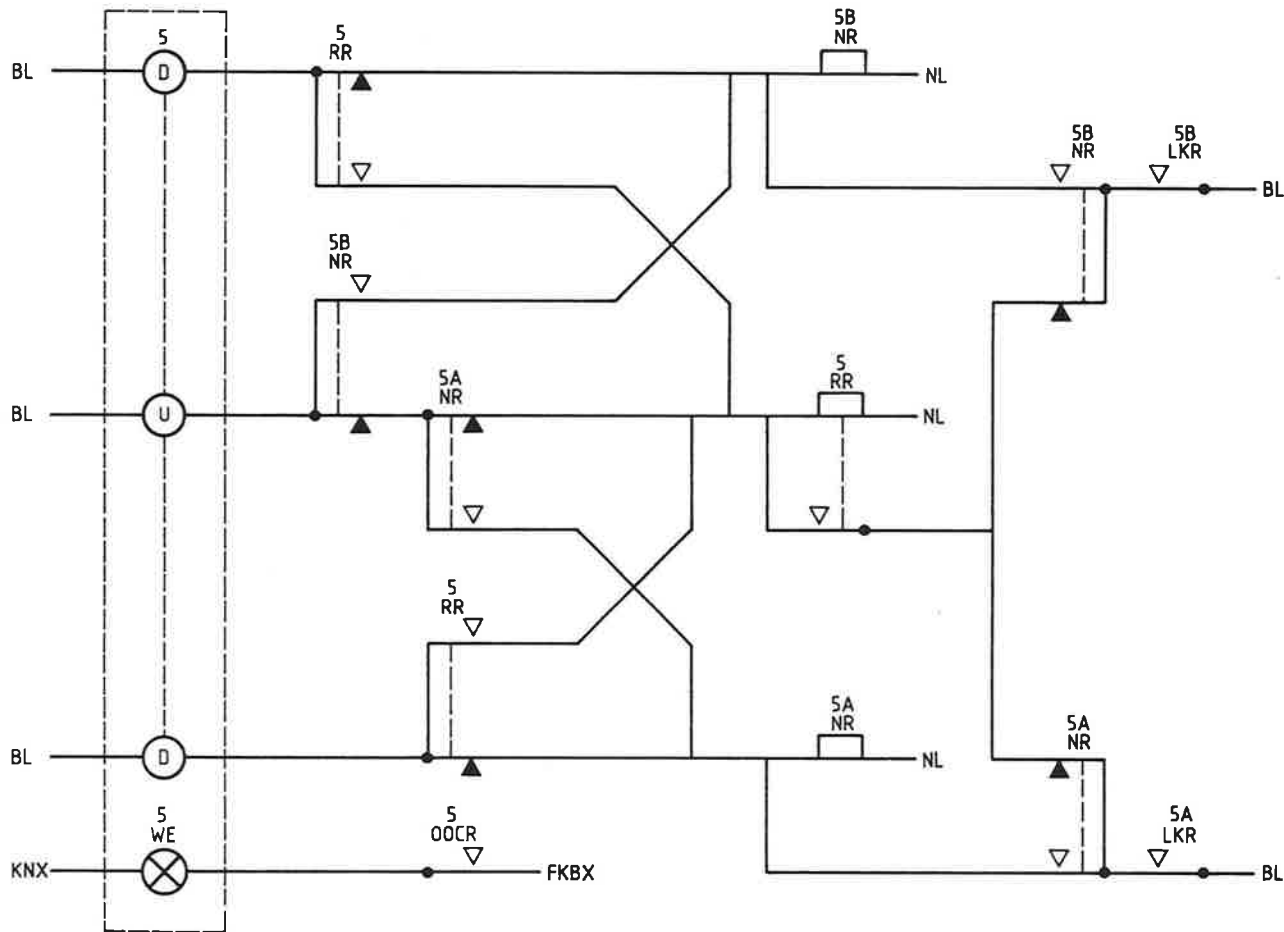
	26-03-'86
Individuele wisselbediening	S-bl.301
Integra- en VNX toestel	A



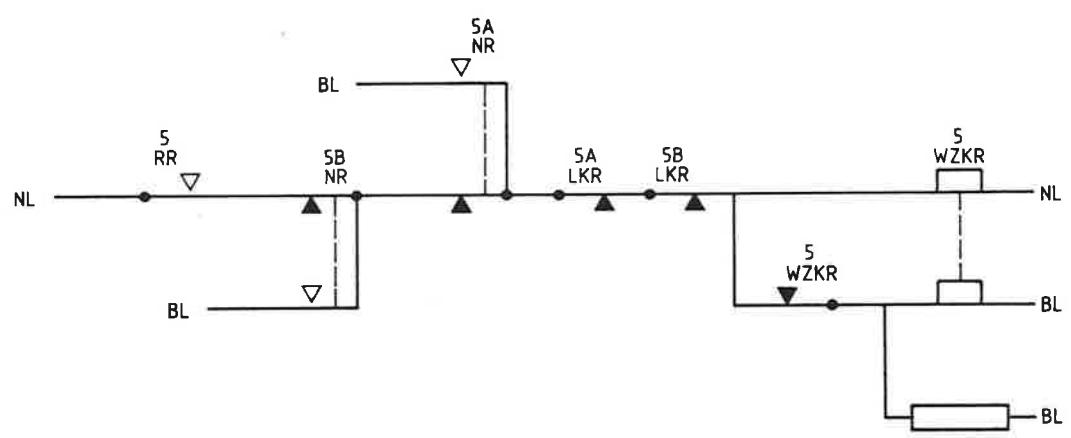
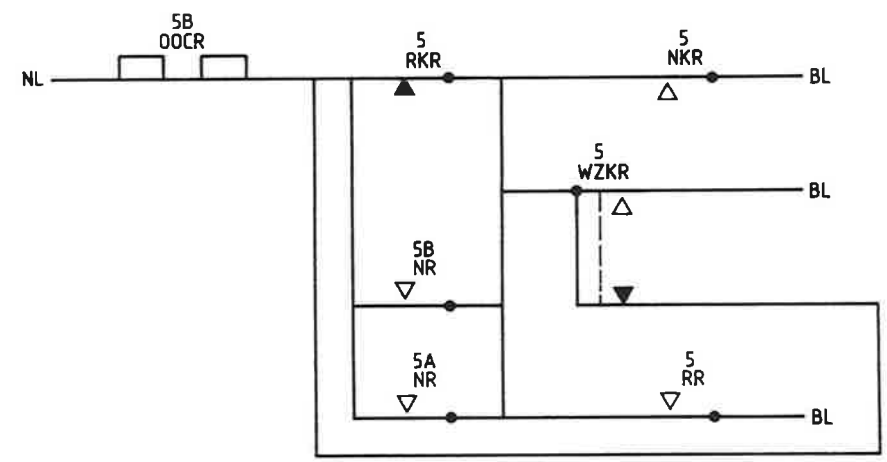
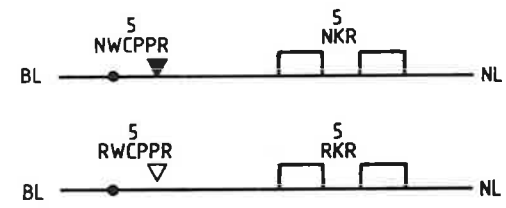
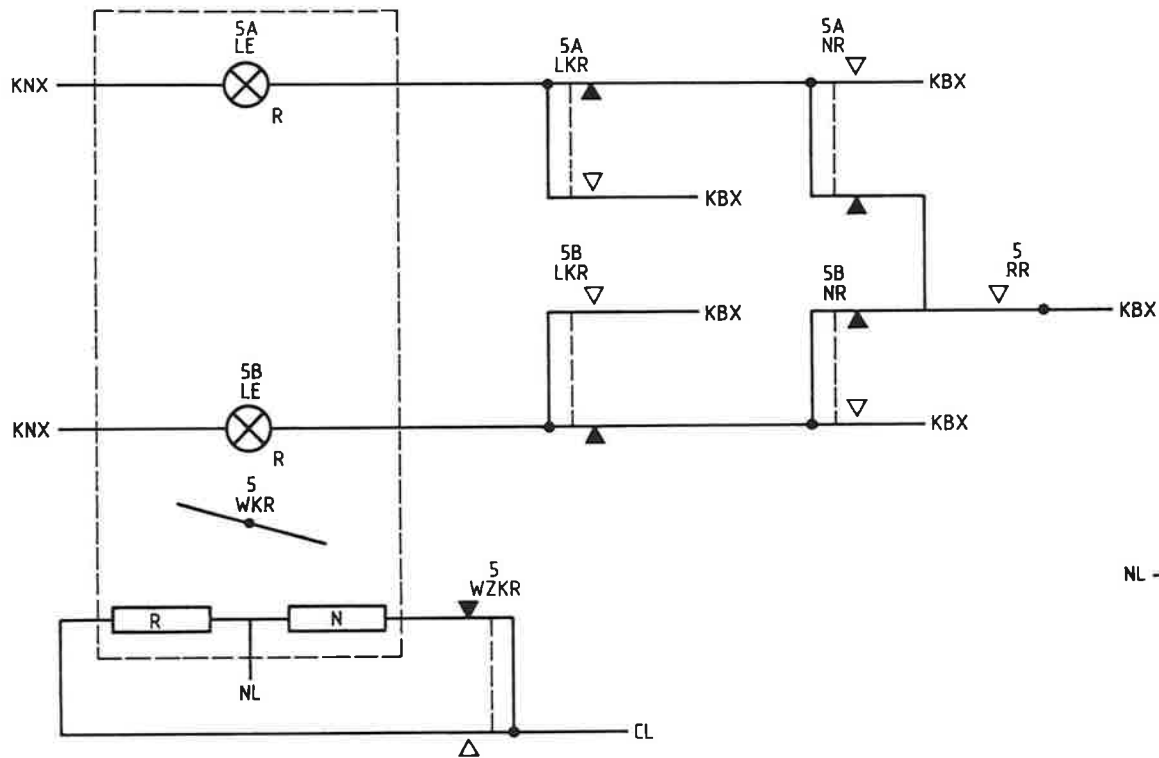
	13-06-'86
Individuele wisselbediening	S-bl.302
Integra- en VNX toestel	A



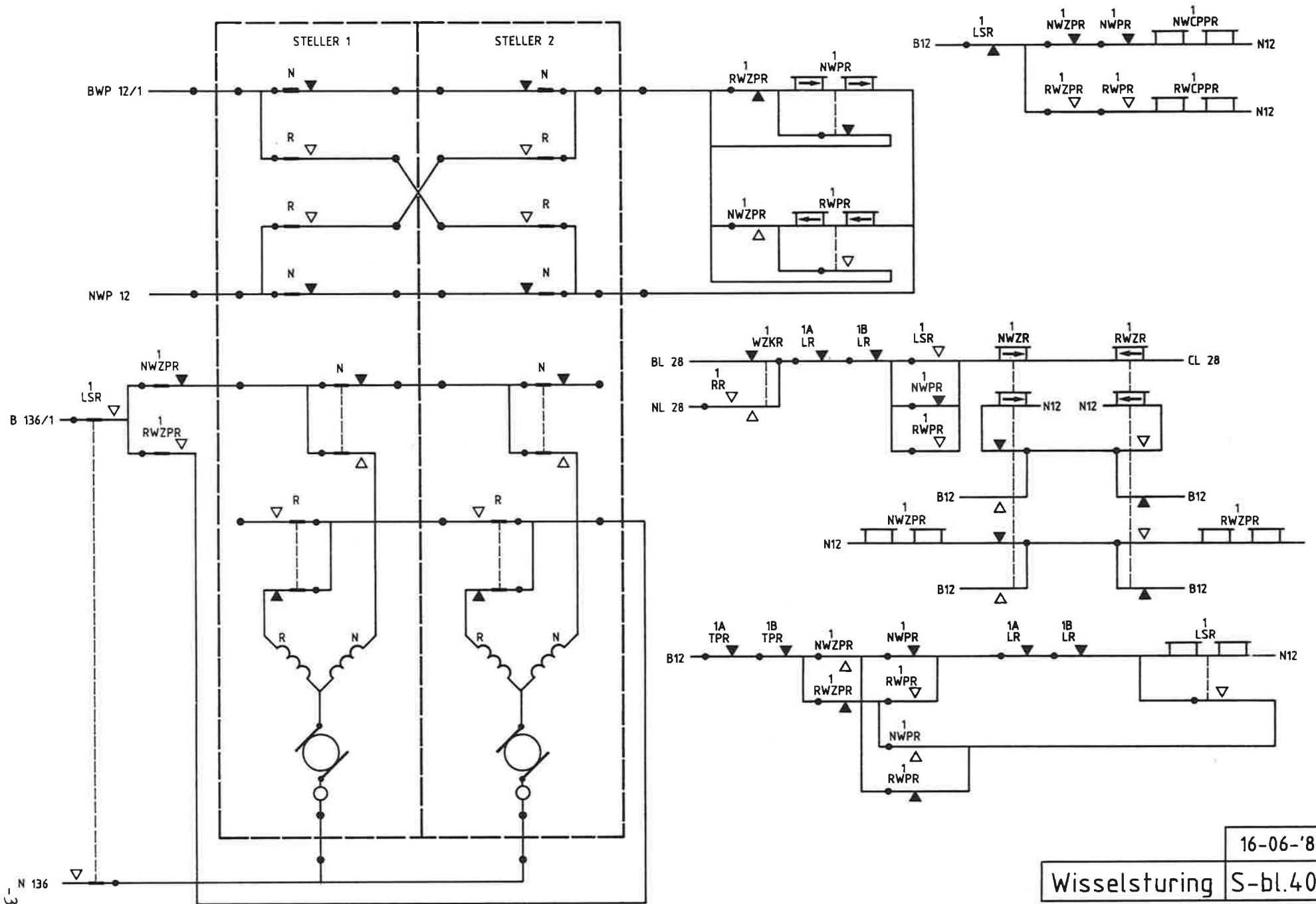
	28-03-'86
Individuele wisselbediening	S-bl.303
Integra- en kijkt toestel	A



	13-06-'86
Individuele wisselbediening	S-bl.301
Begin- en eindknoptoezel	B



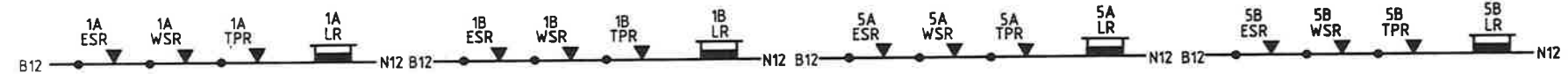
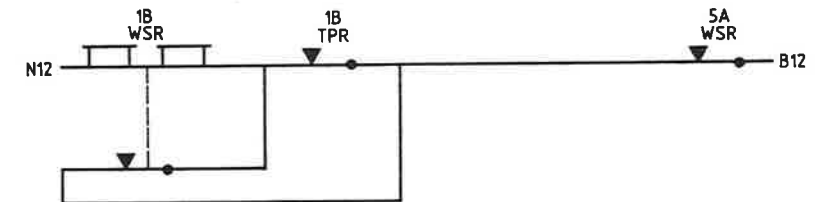
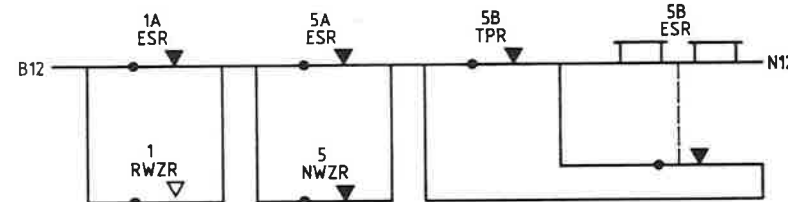
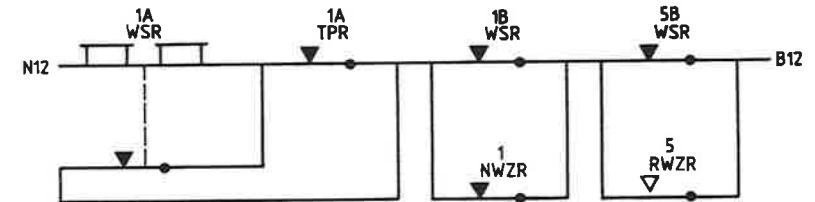
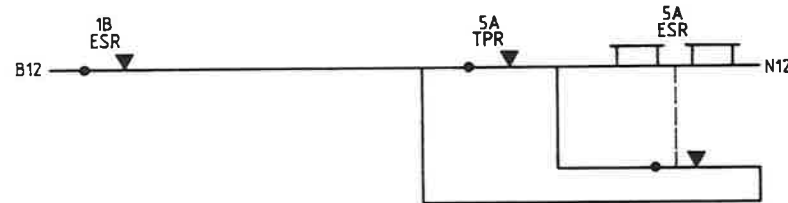
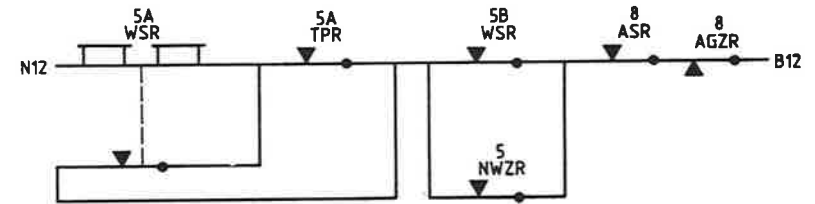
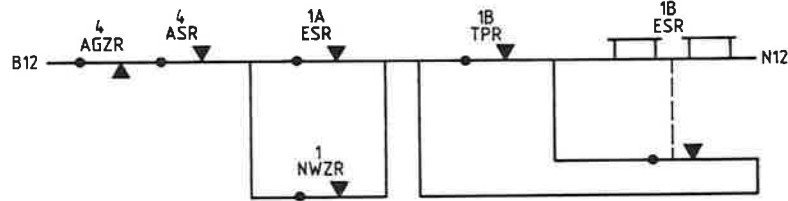
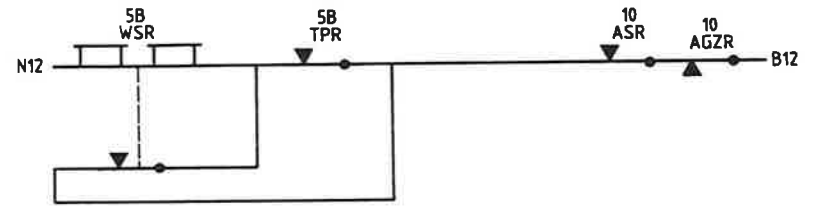
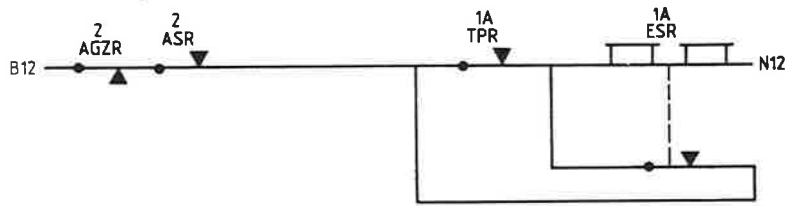
	16-06-'86
Individuele wisselbediening	S-bl.302
Begin- en eindknoptoestel	B

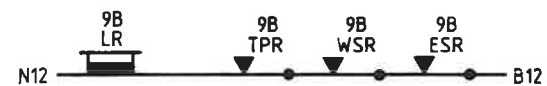
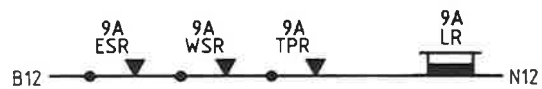
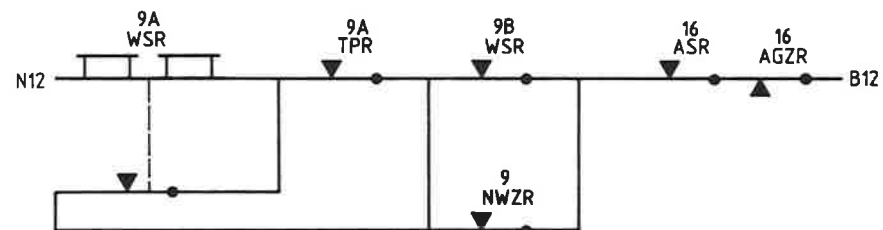
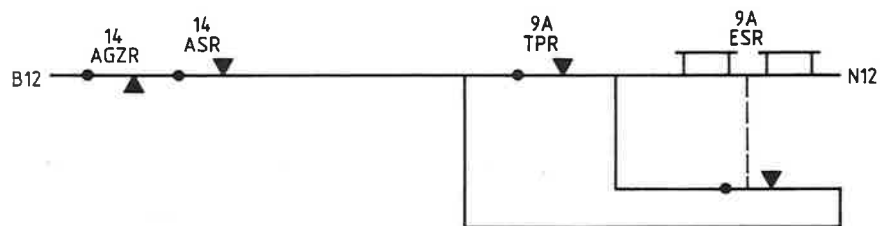
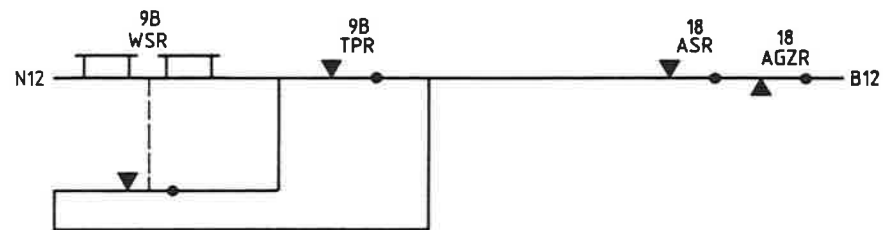
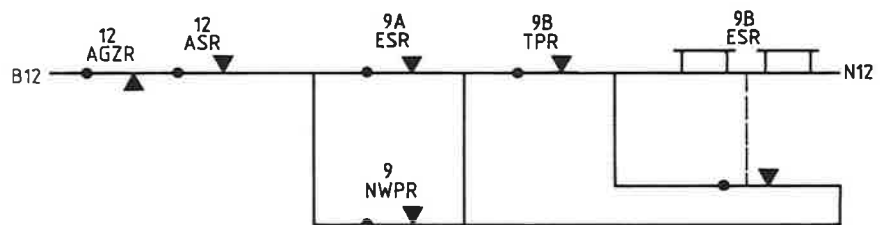


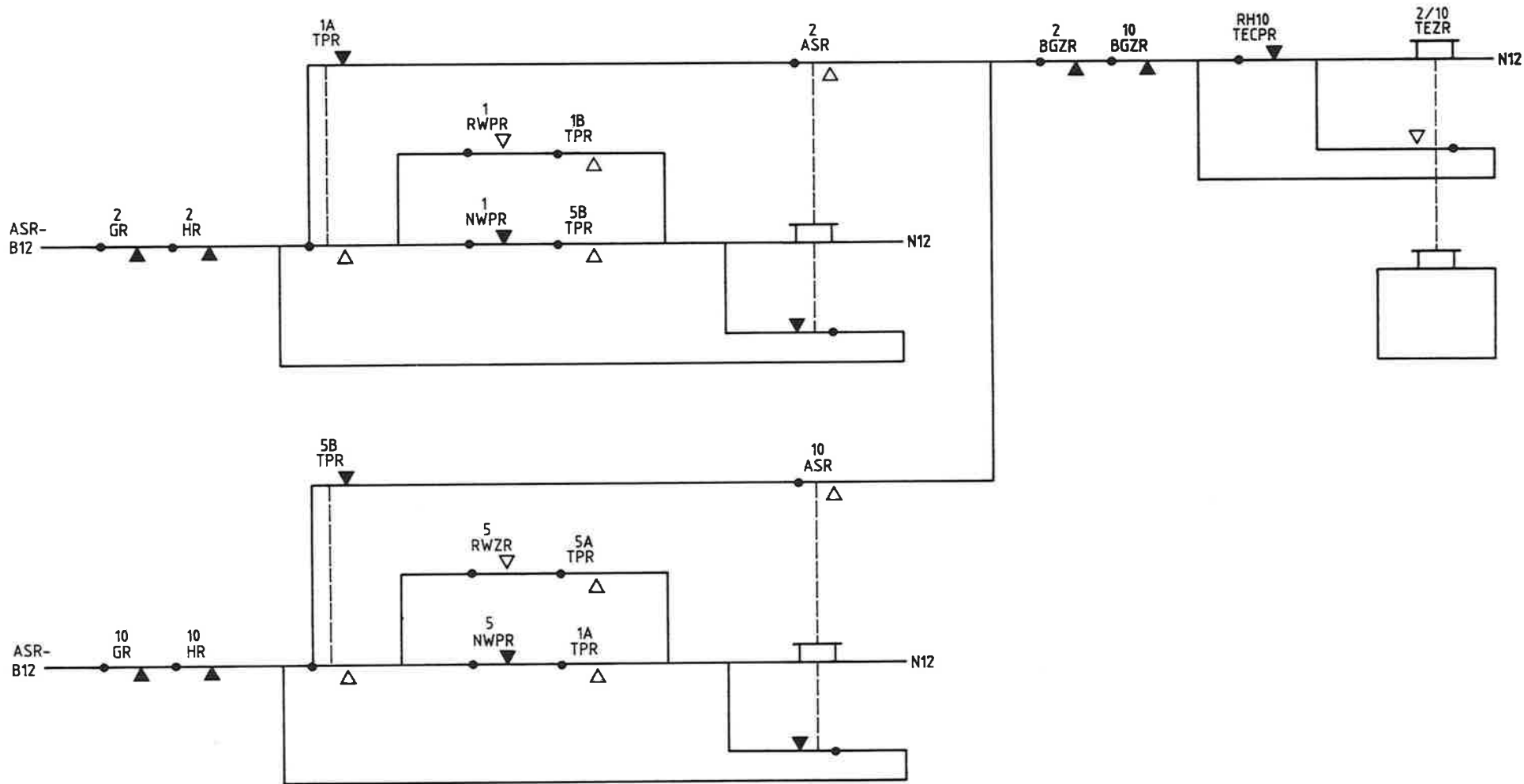
-34-

16-06-'86

Wisselsturing S-bl.401

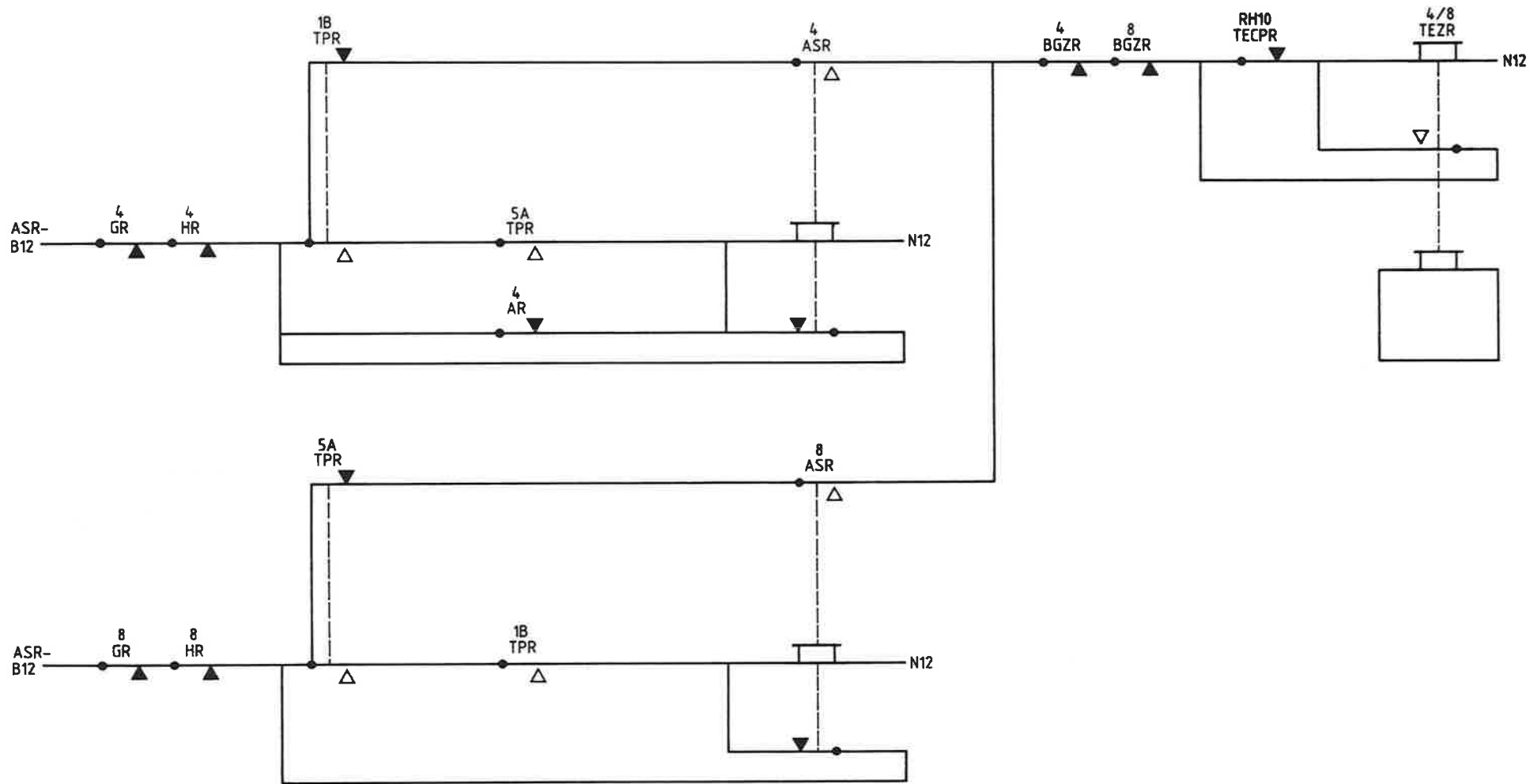






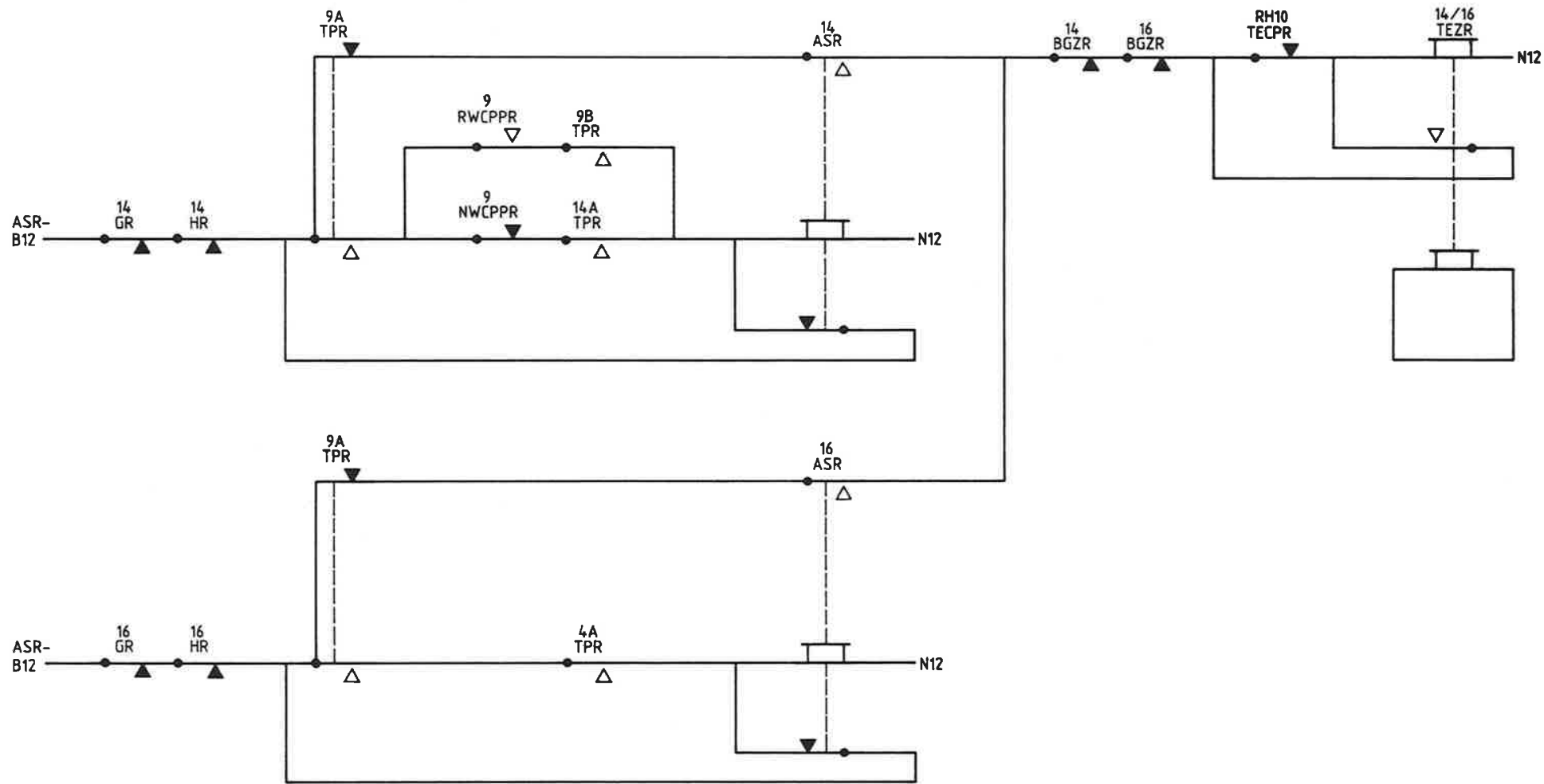
16-06-'86

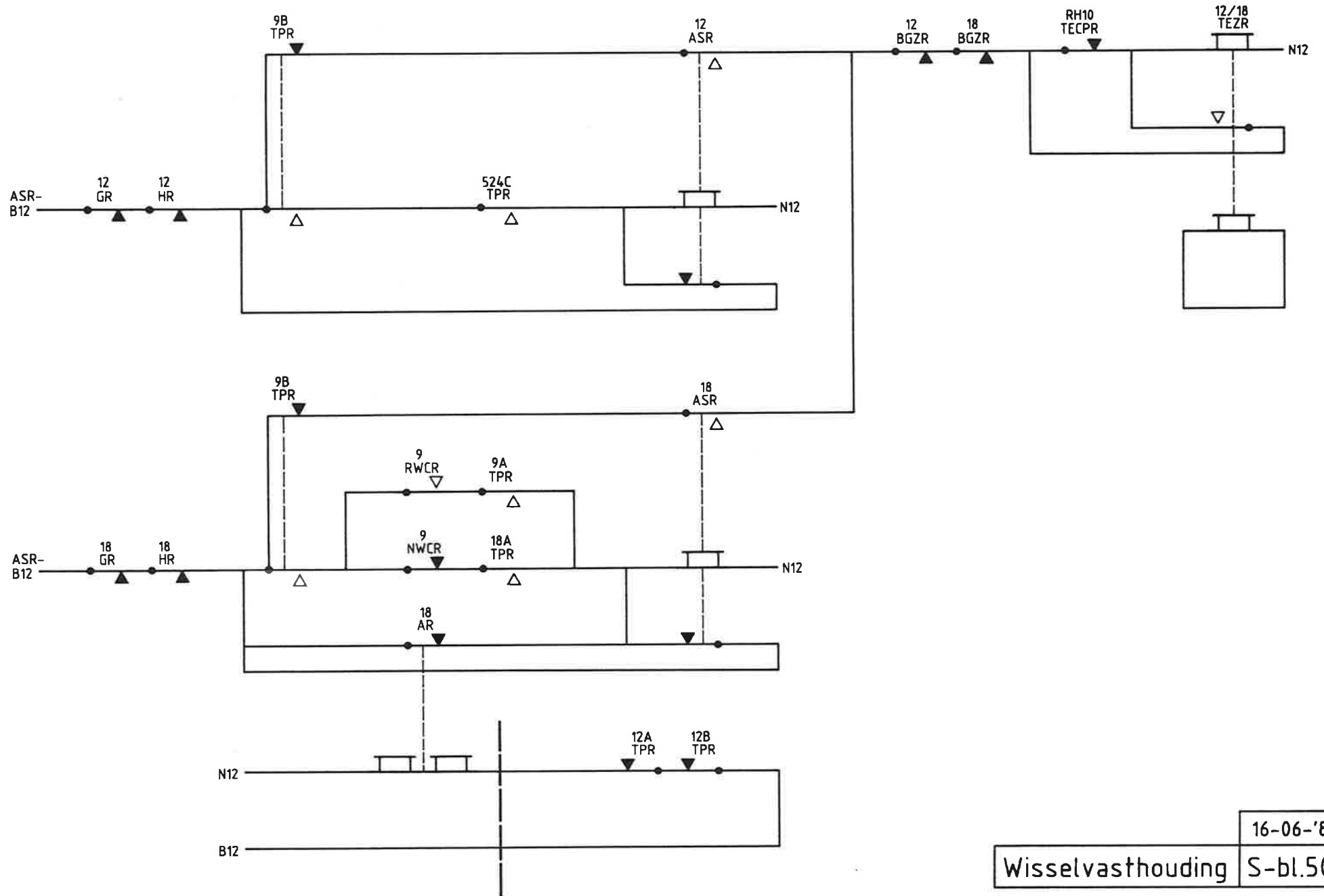
Wisselvasthouding S-bl.503



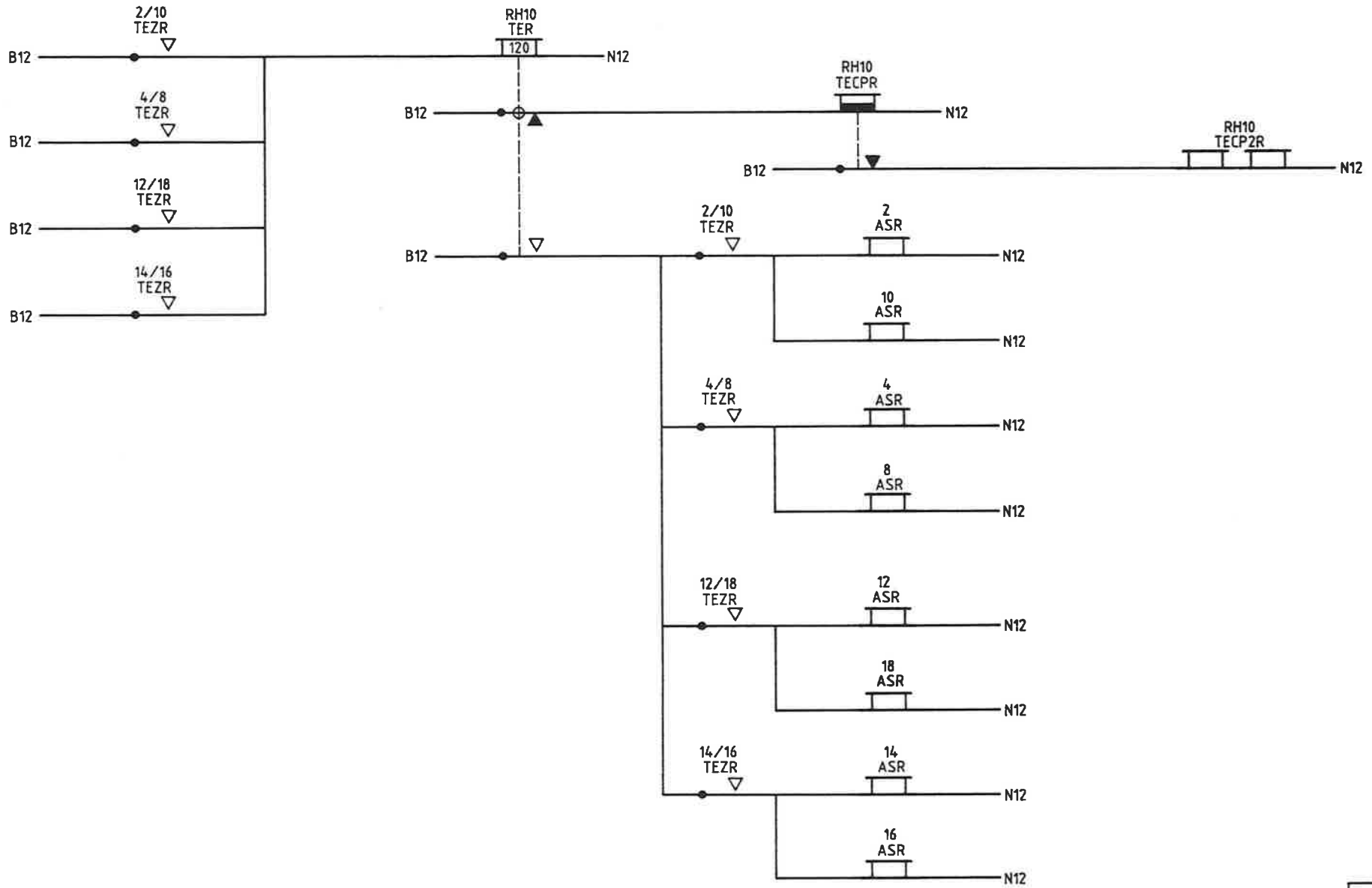
16-06-'86

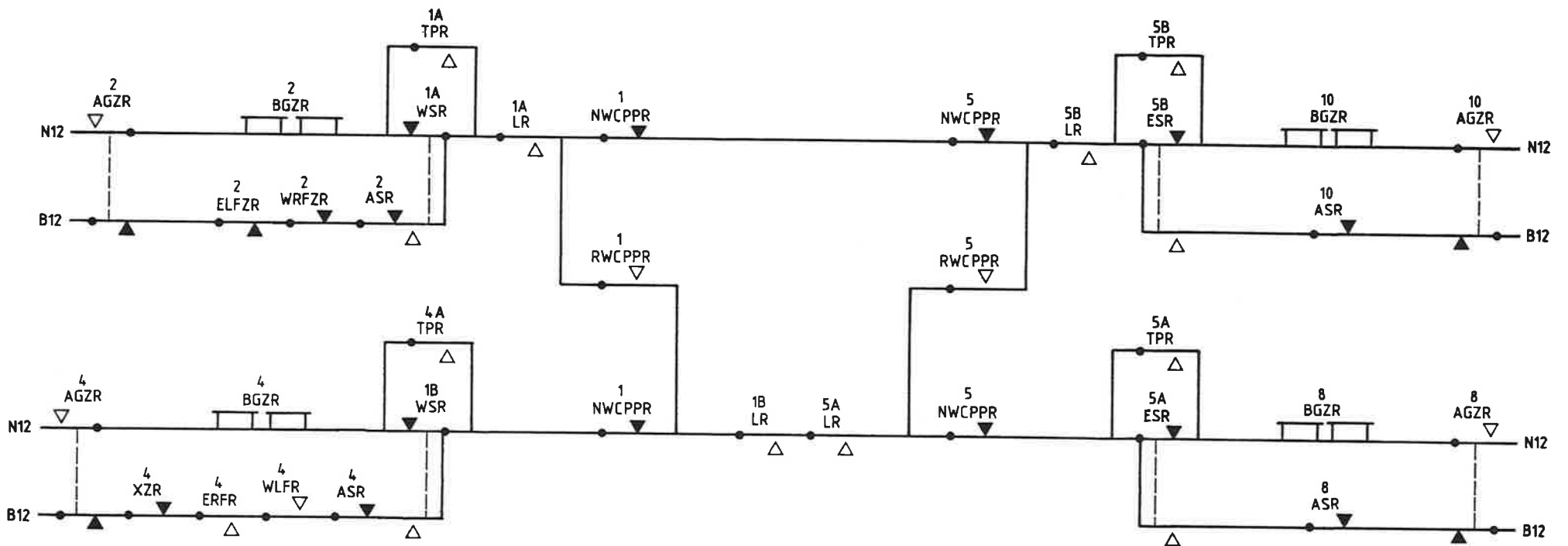
Wisselvasthouding S-bl.504

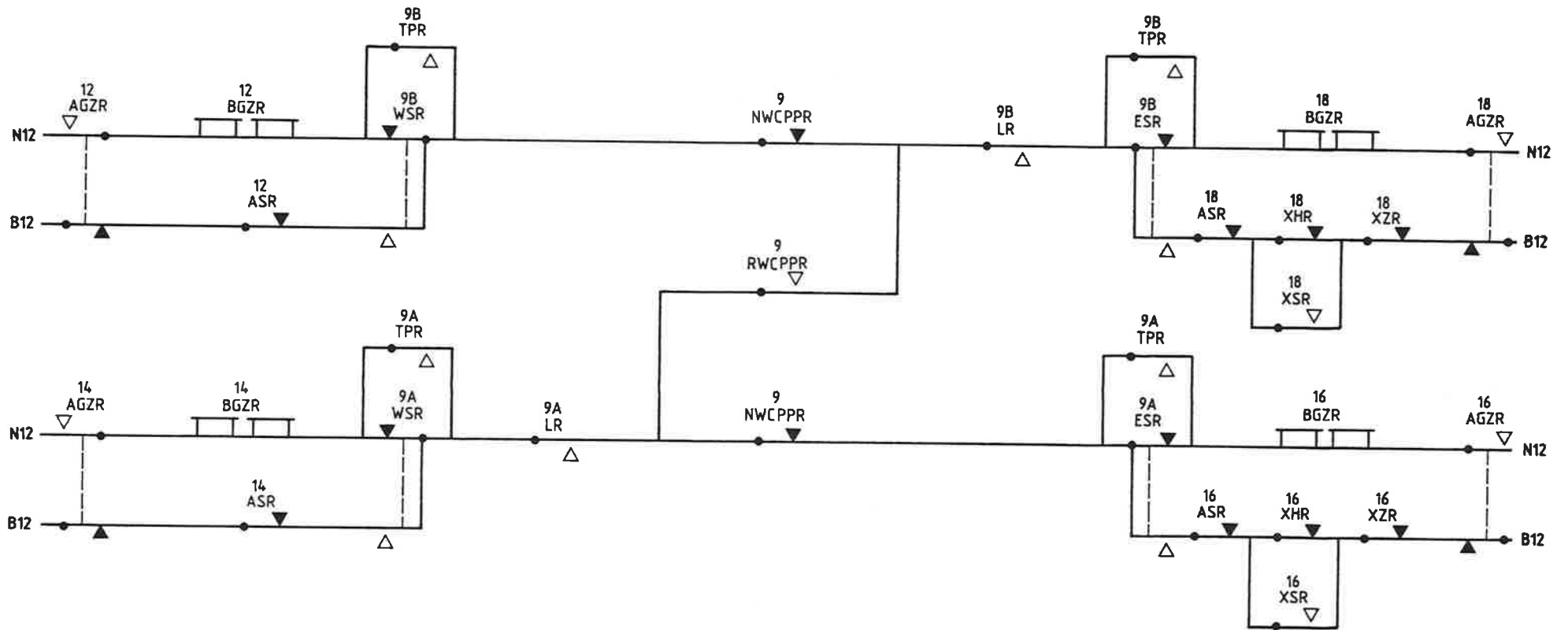


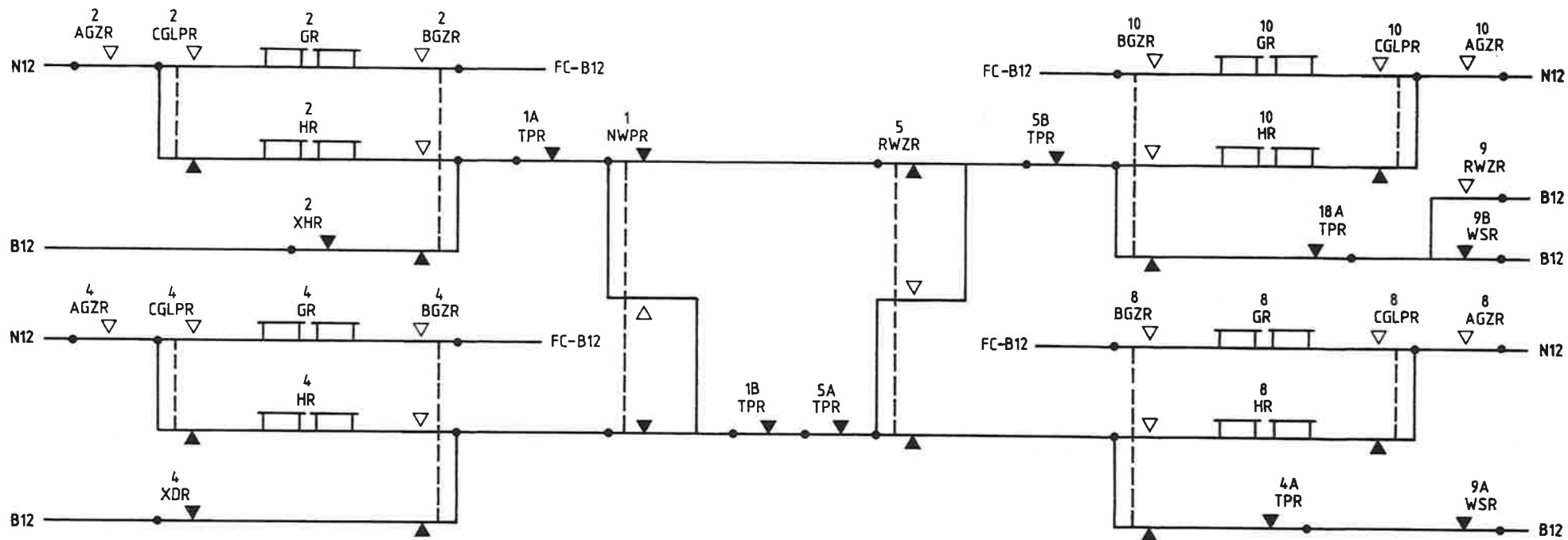


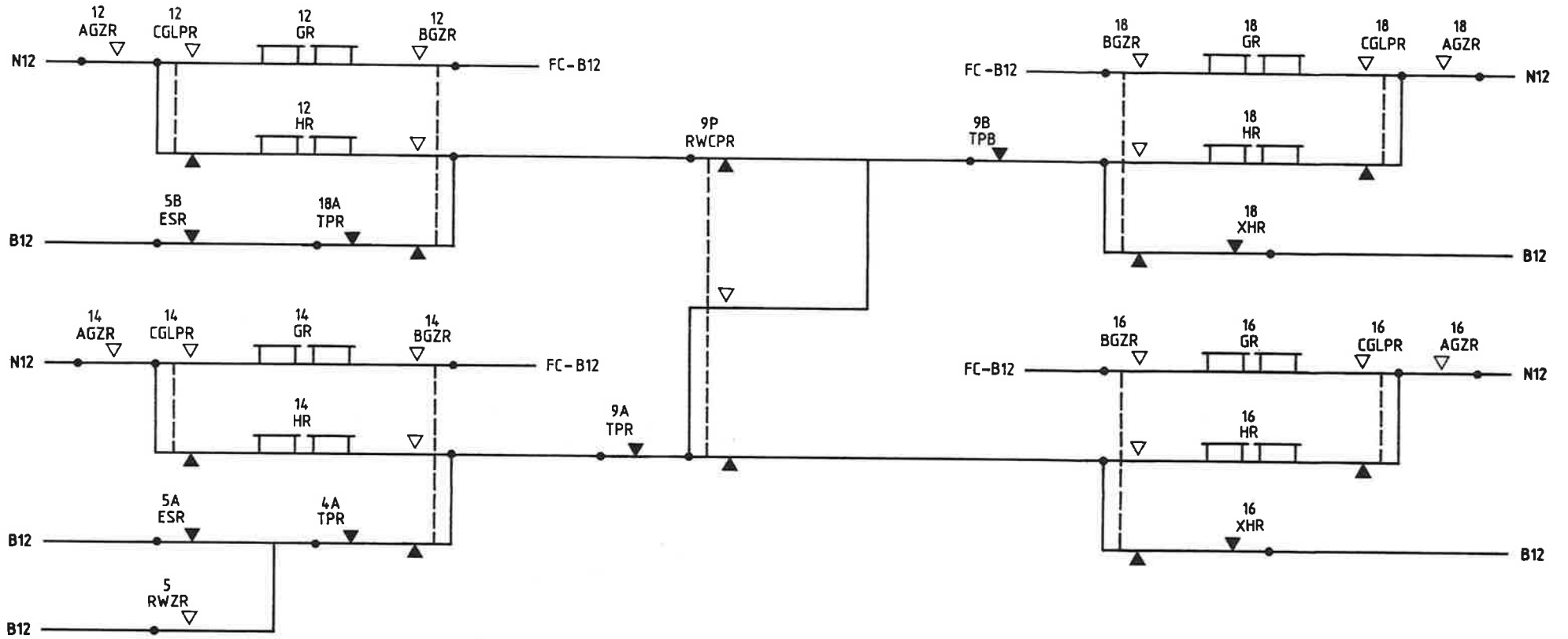
	16-06-'86
Wisselvasthouding	S-bl.506

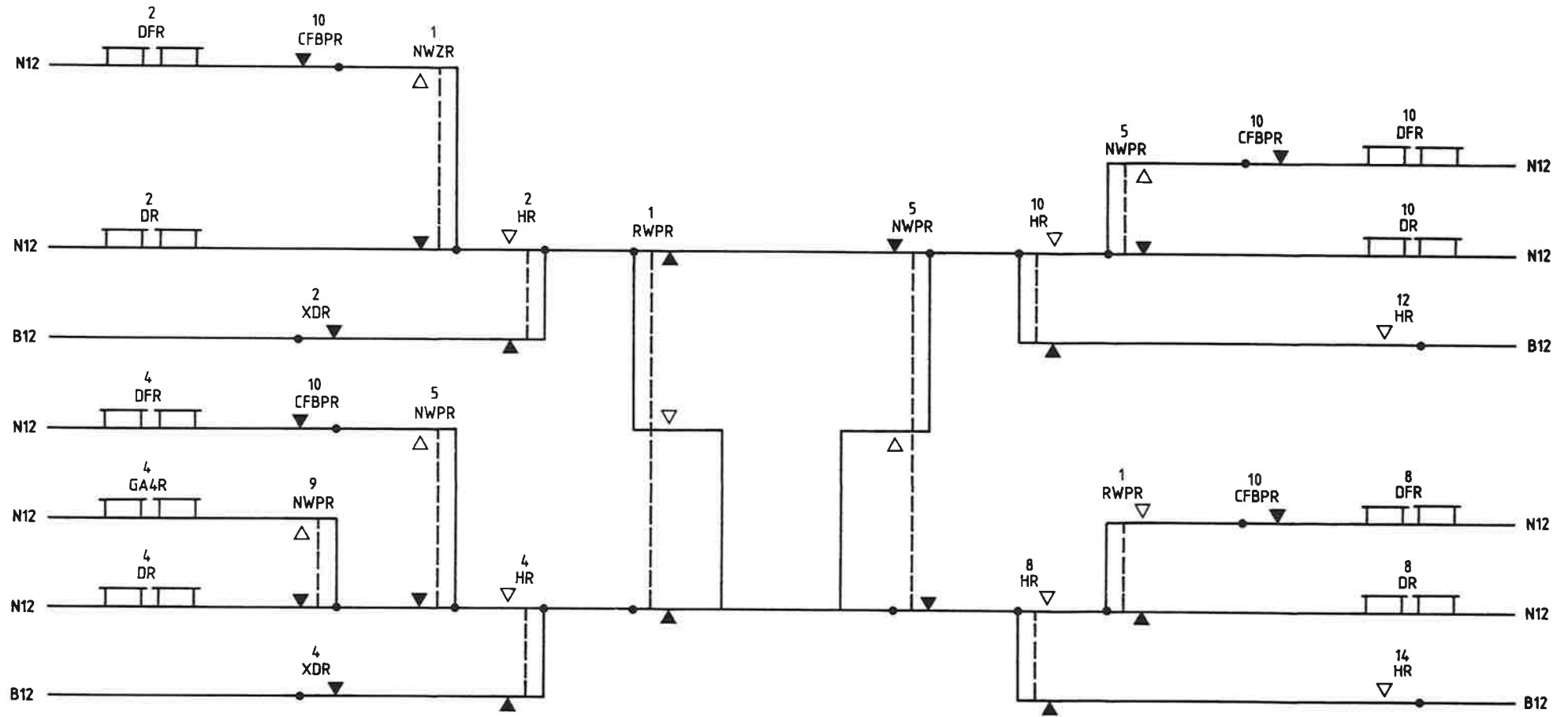


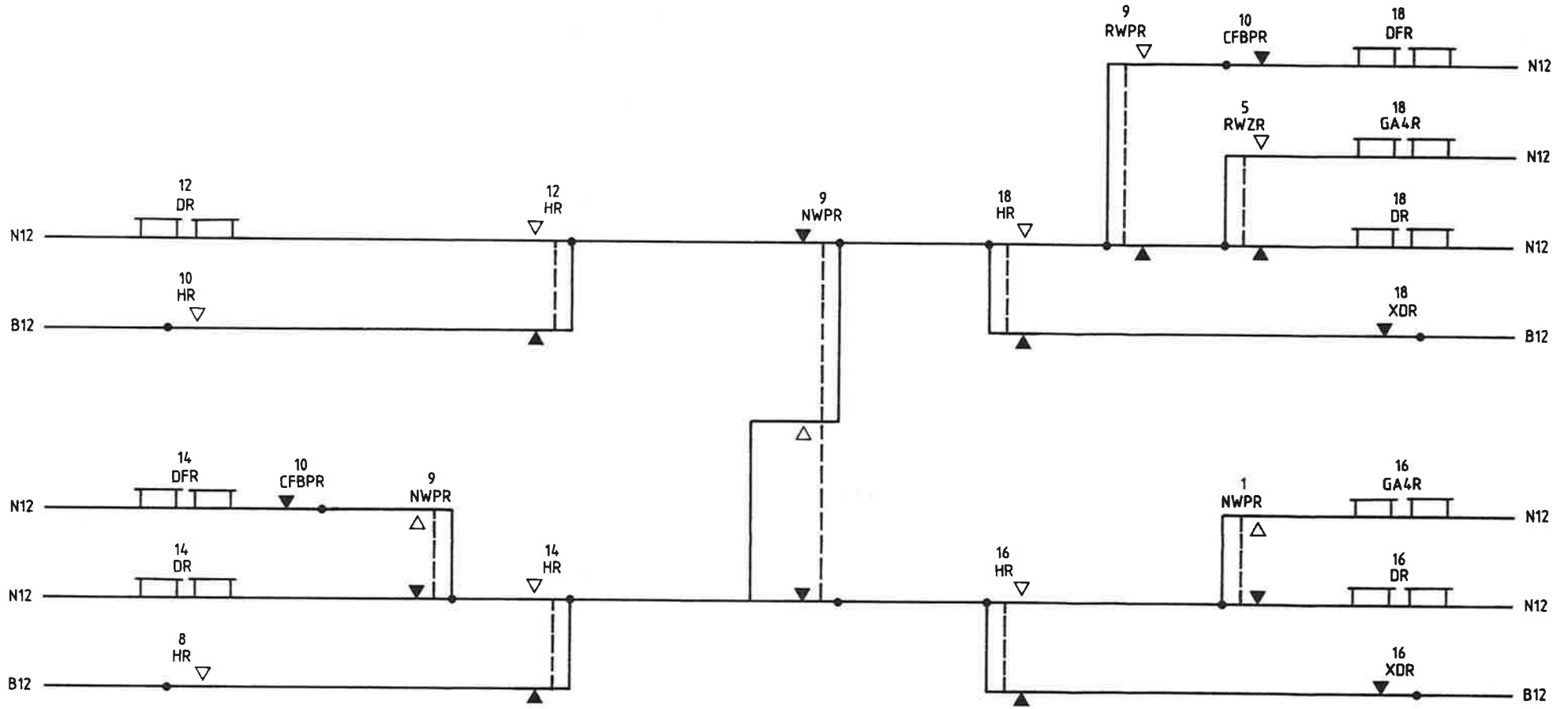


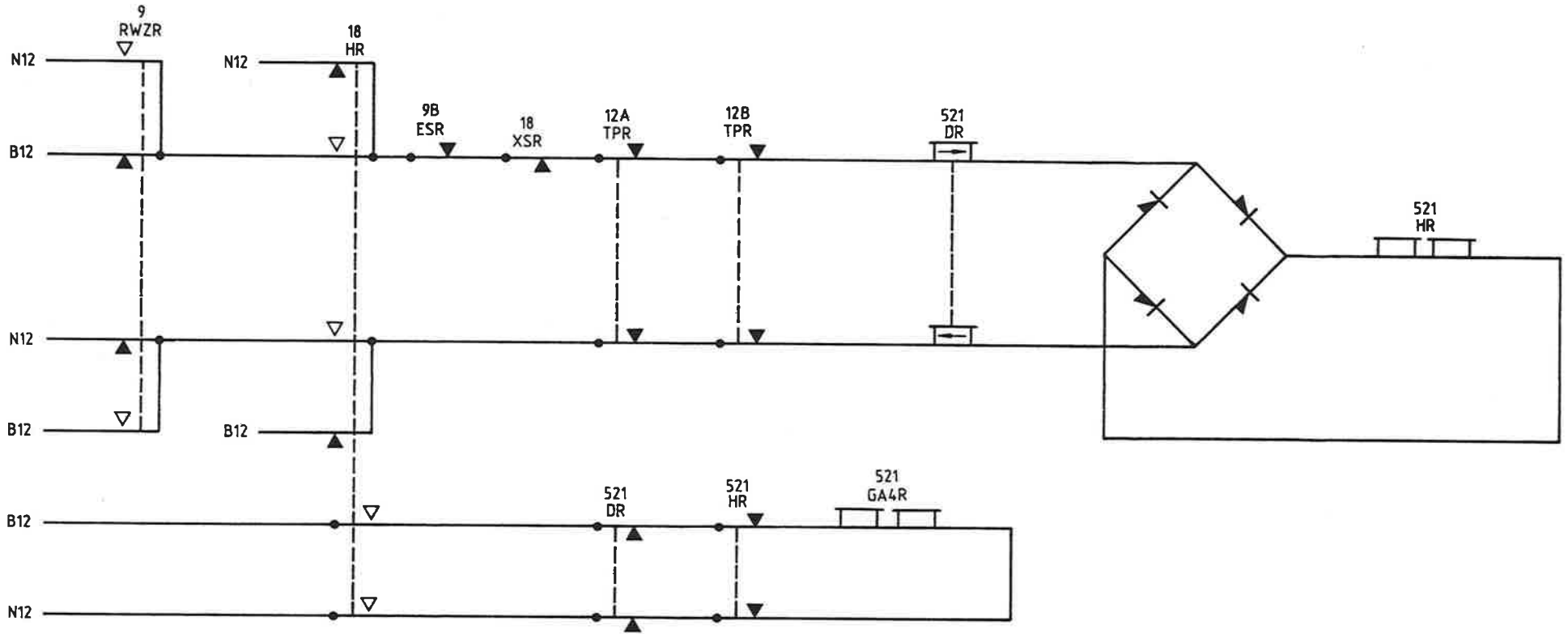
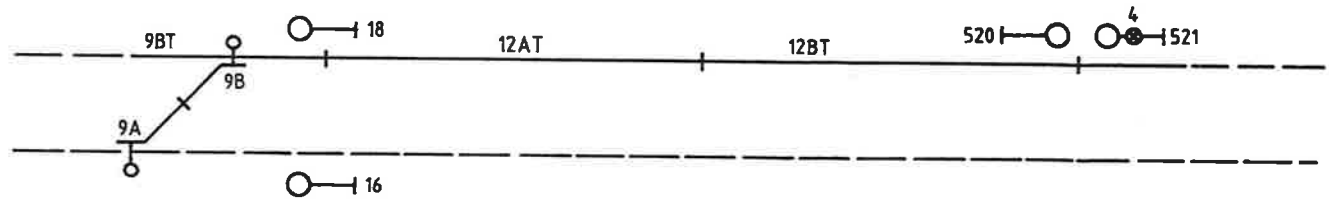


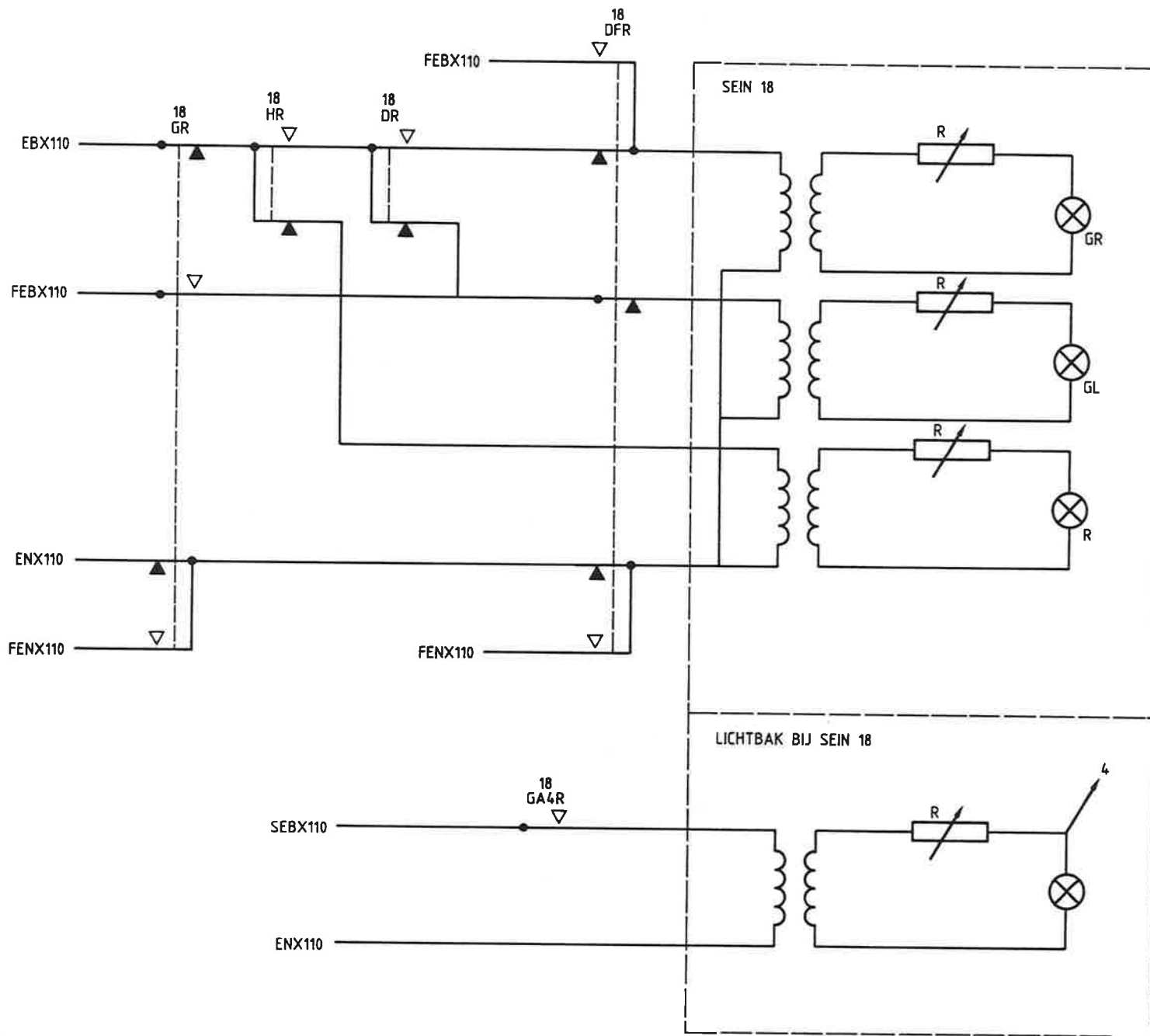


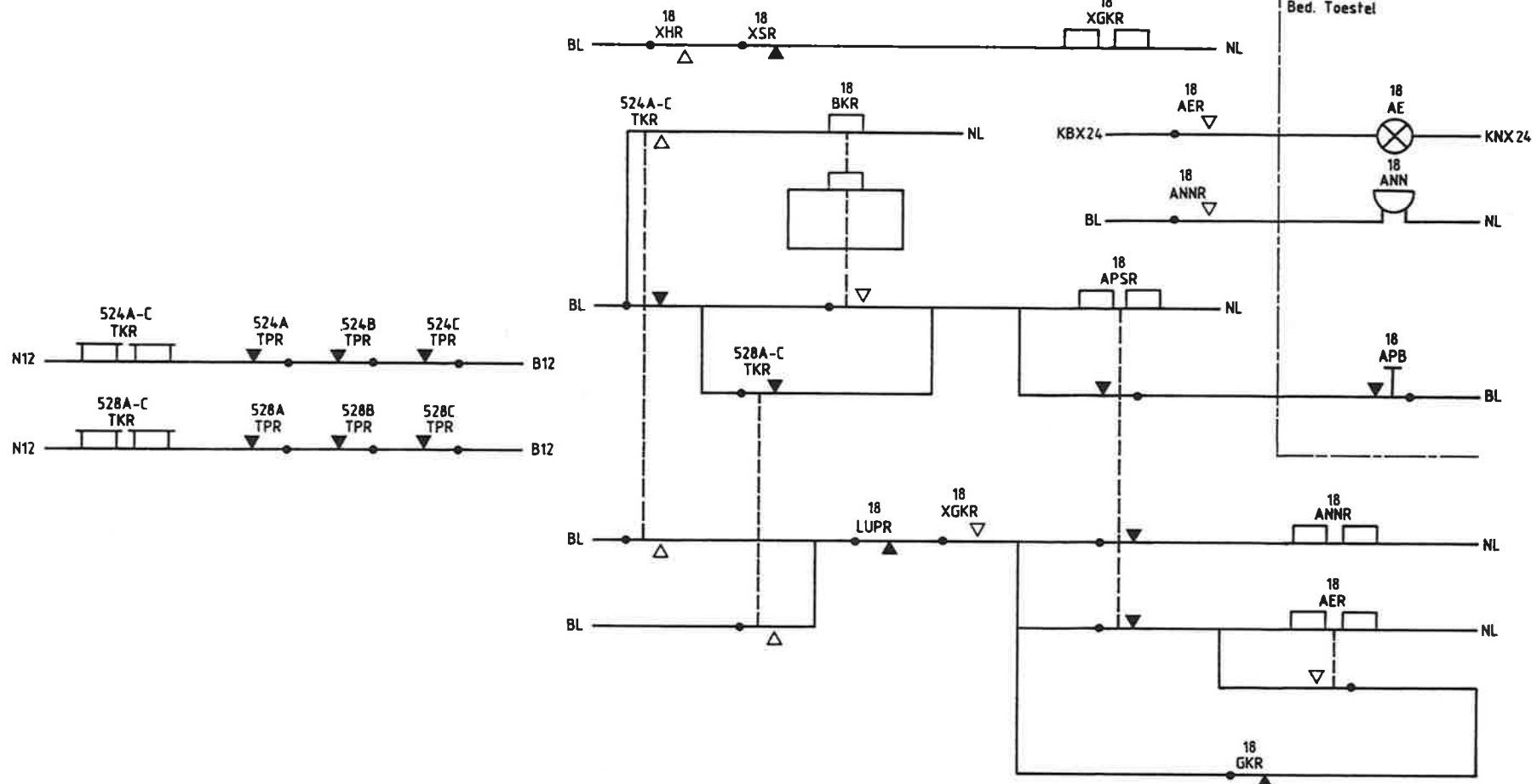
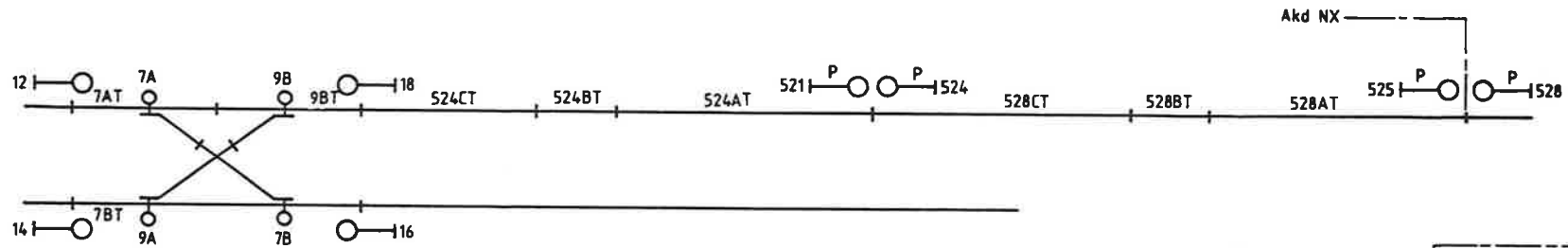






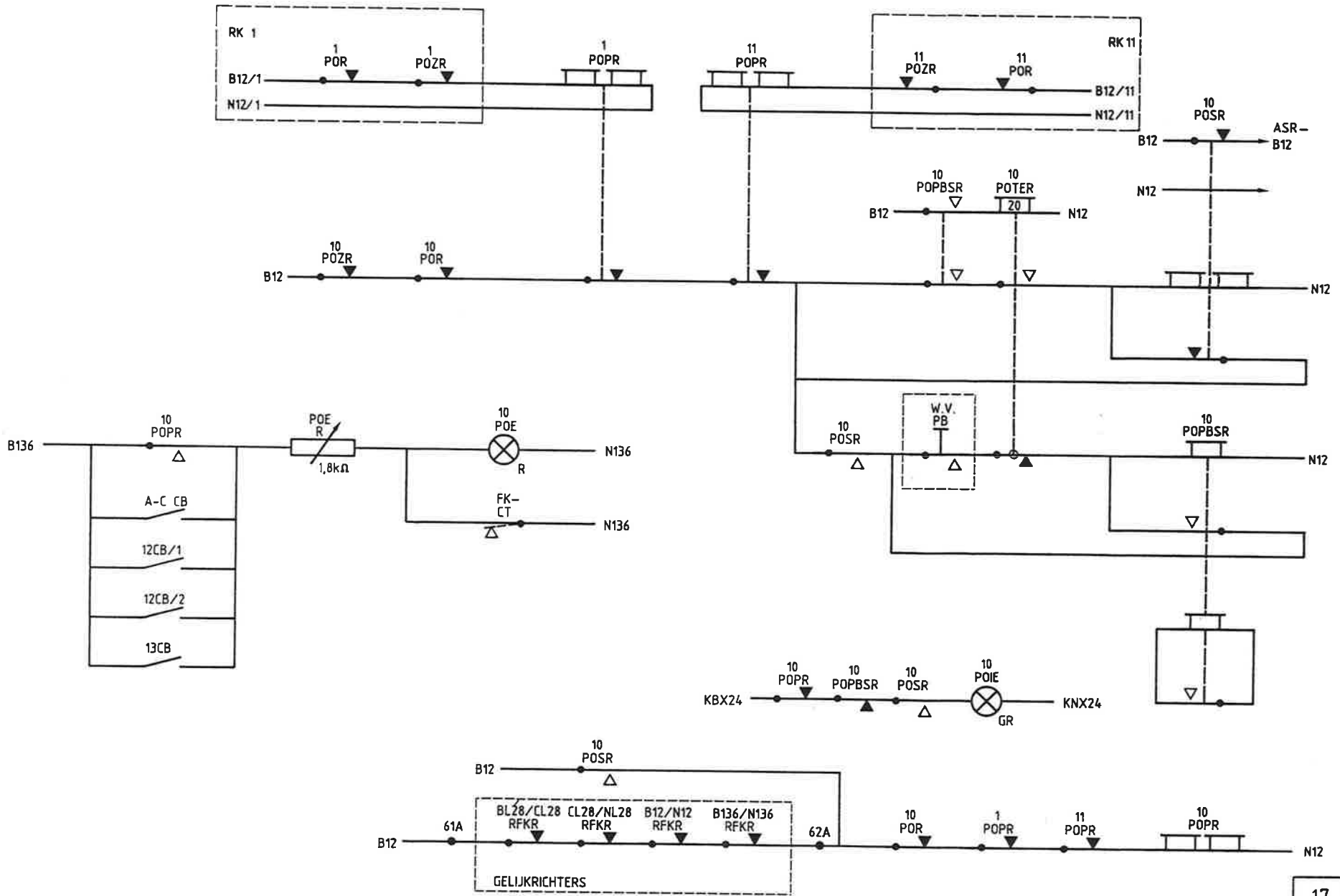






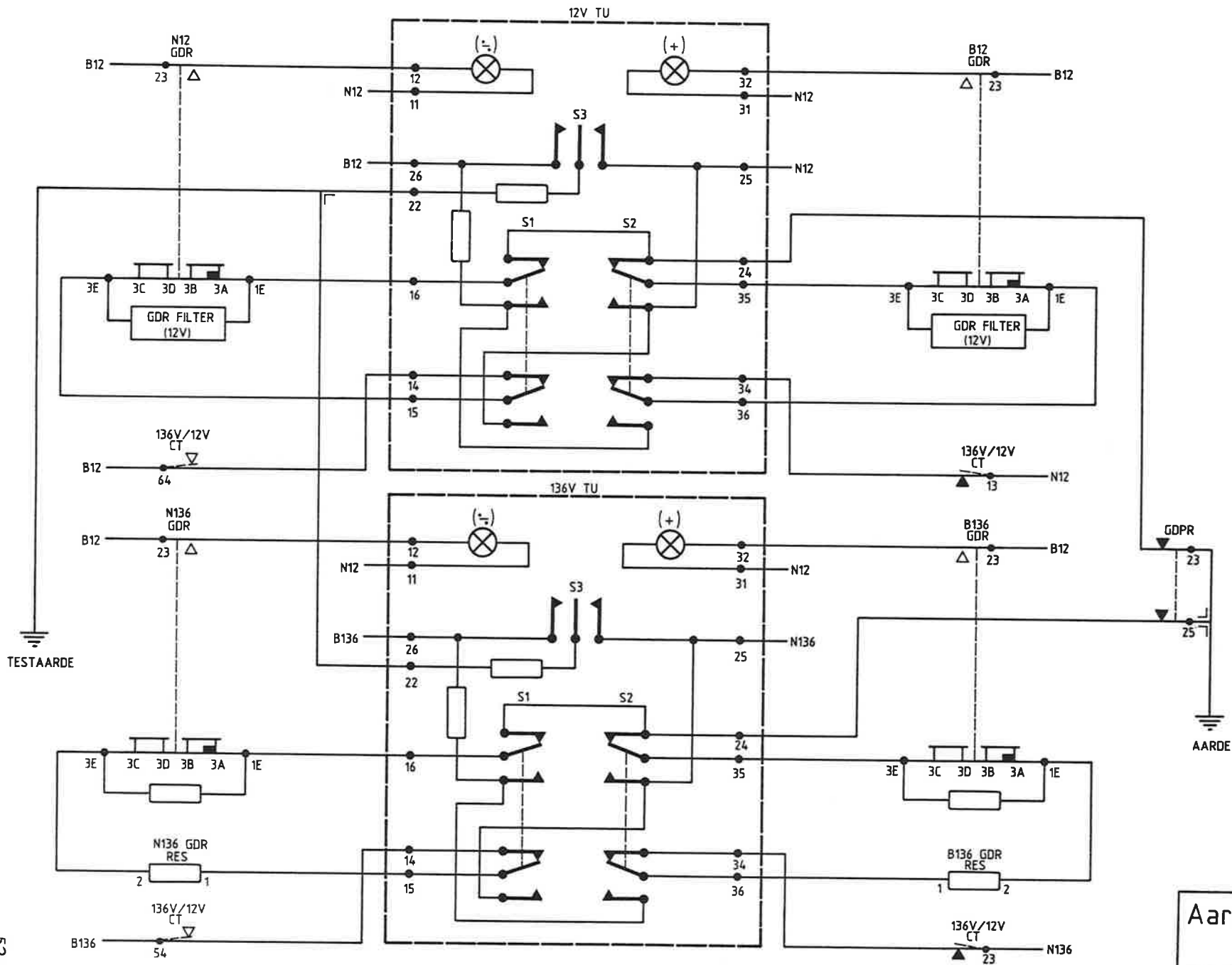
17-06-'86

NX- aankondiging S-bl.1001



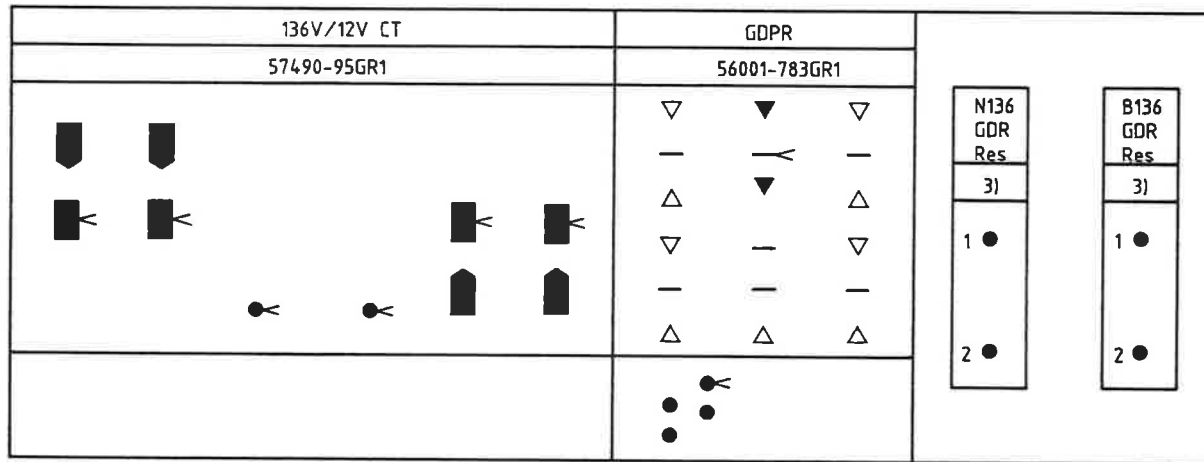
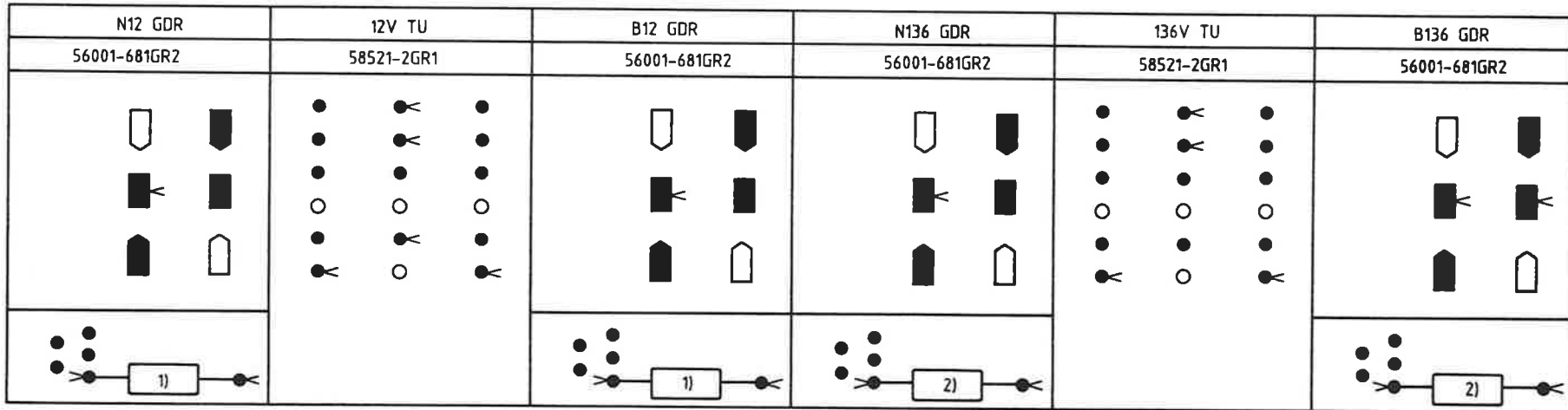
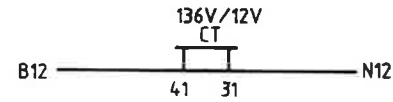
17-06-'86

Wisselvrijmaking S-bl.1101



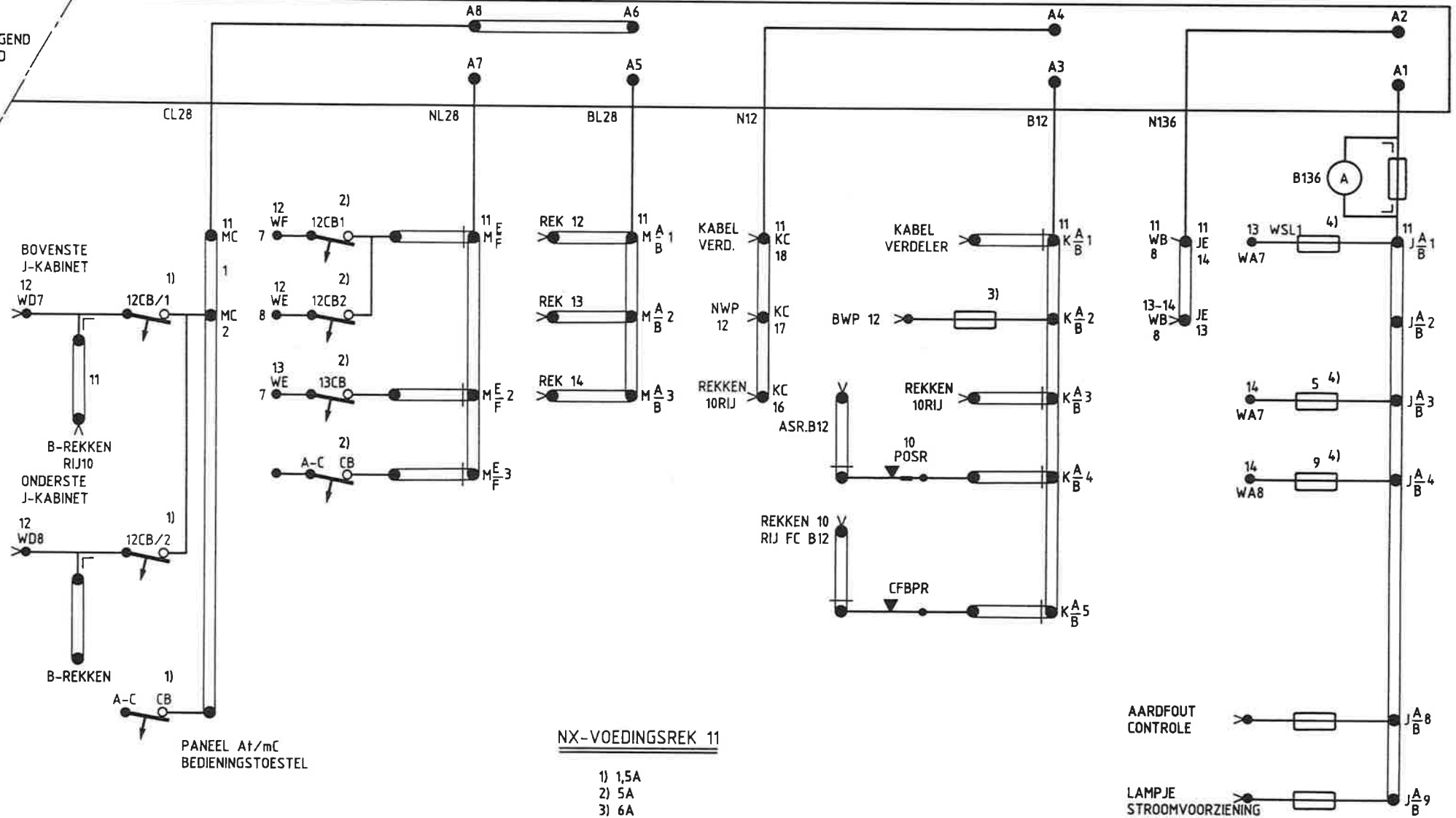
17-06-'86

Aardfoutkontrole
S-bl.1102



ZIE
VOLGEND
BLAD

KLEMMENSTROOK BOVENIN VOEDINGSREK (VA-REK)



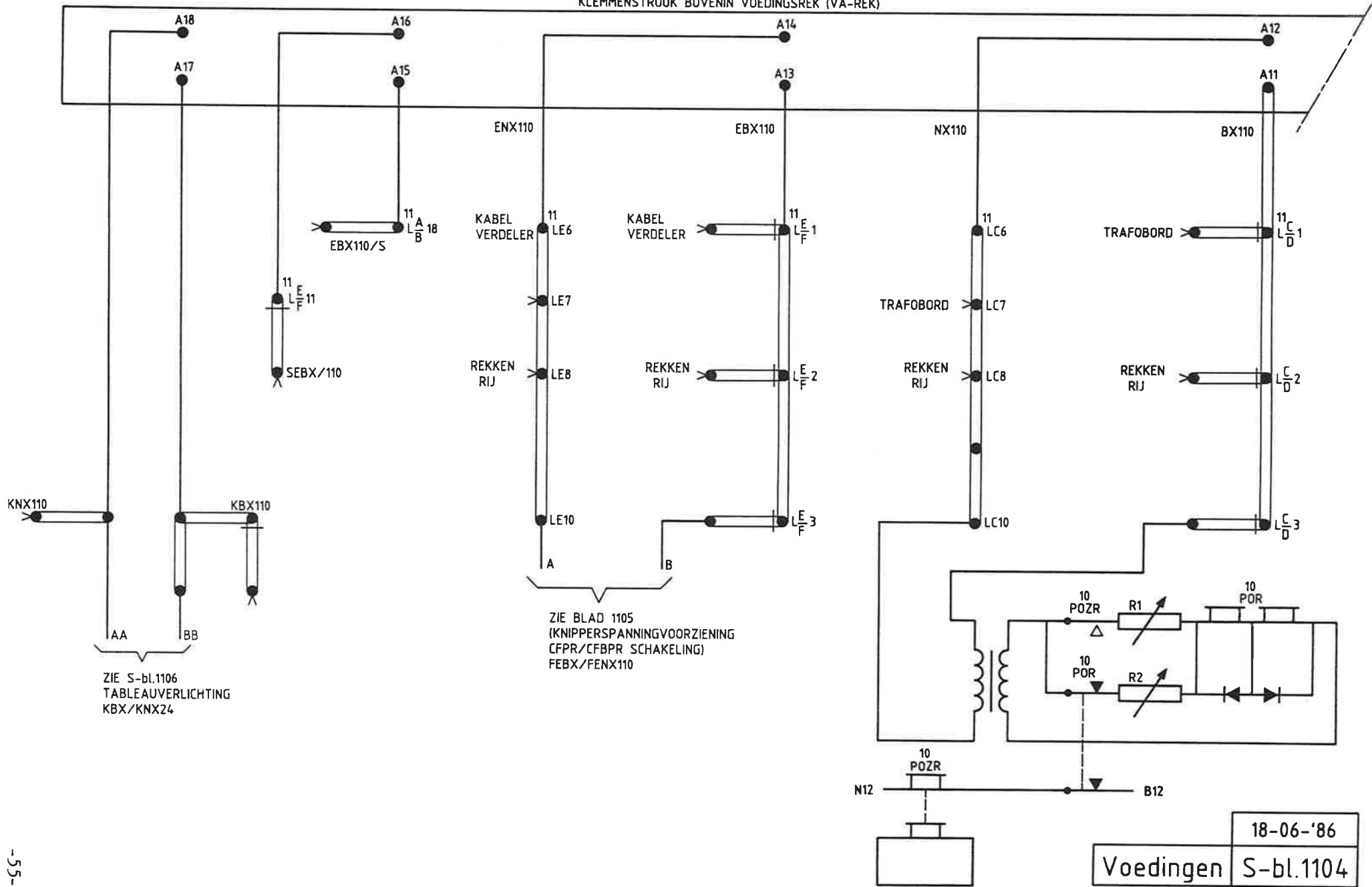
NX-VOEDINGSREK 11

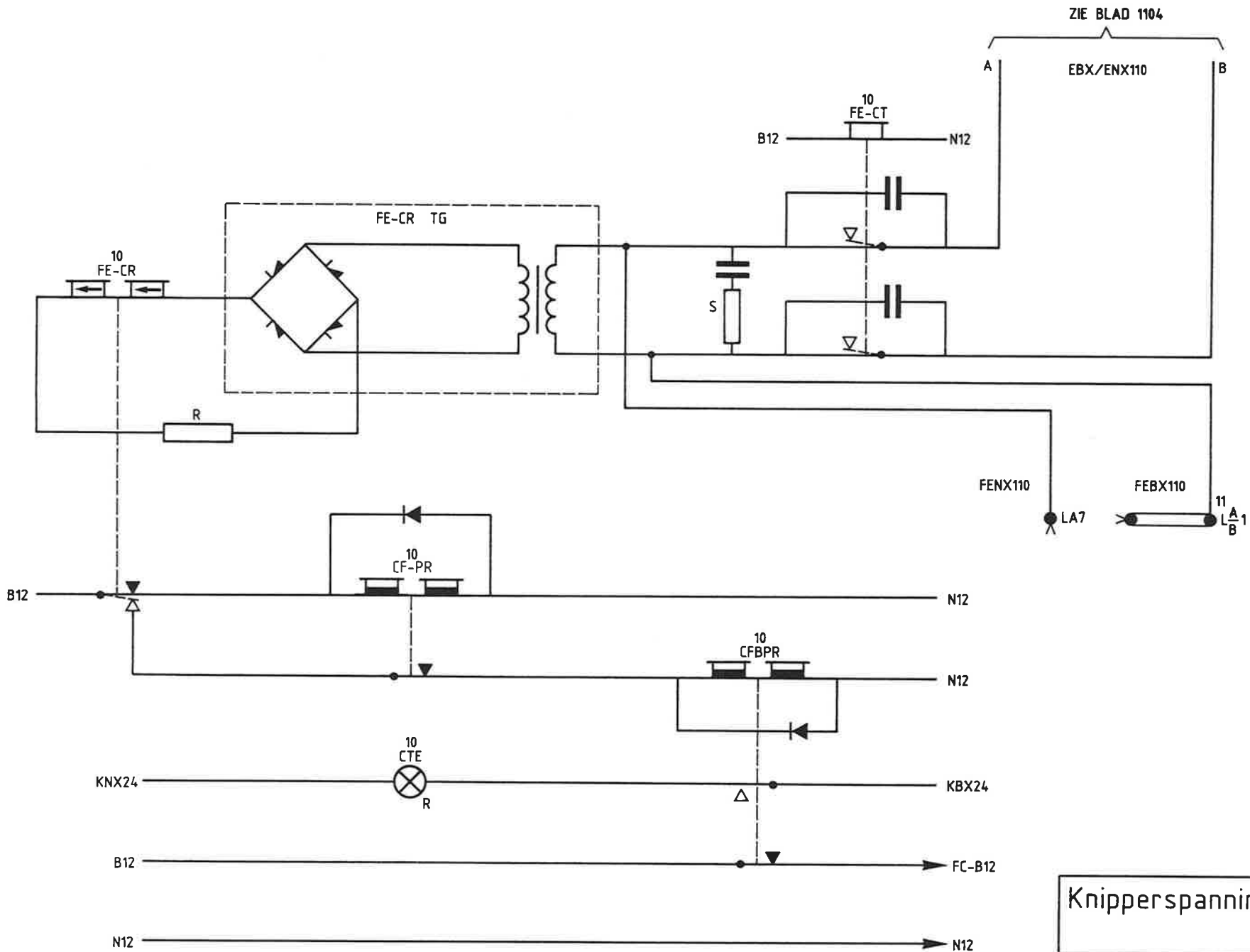
- 1) 1,5A
- 2) 5A
- 3) 6A
- 4) 10A

17-06-'86

Voedingen S-bl.1103

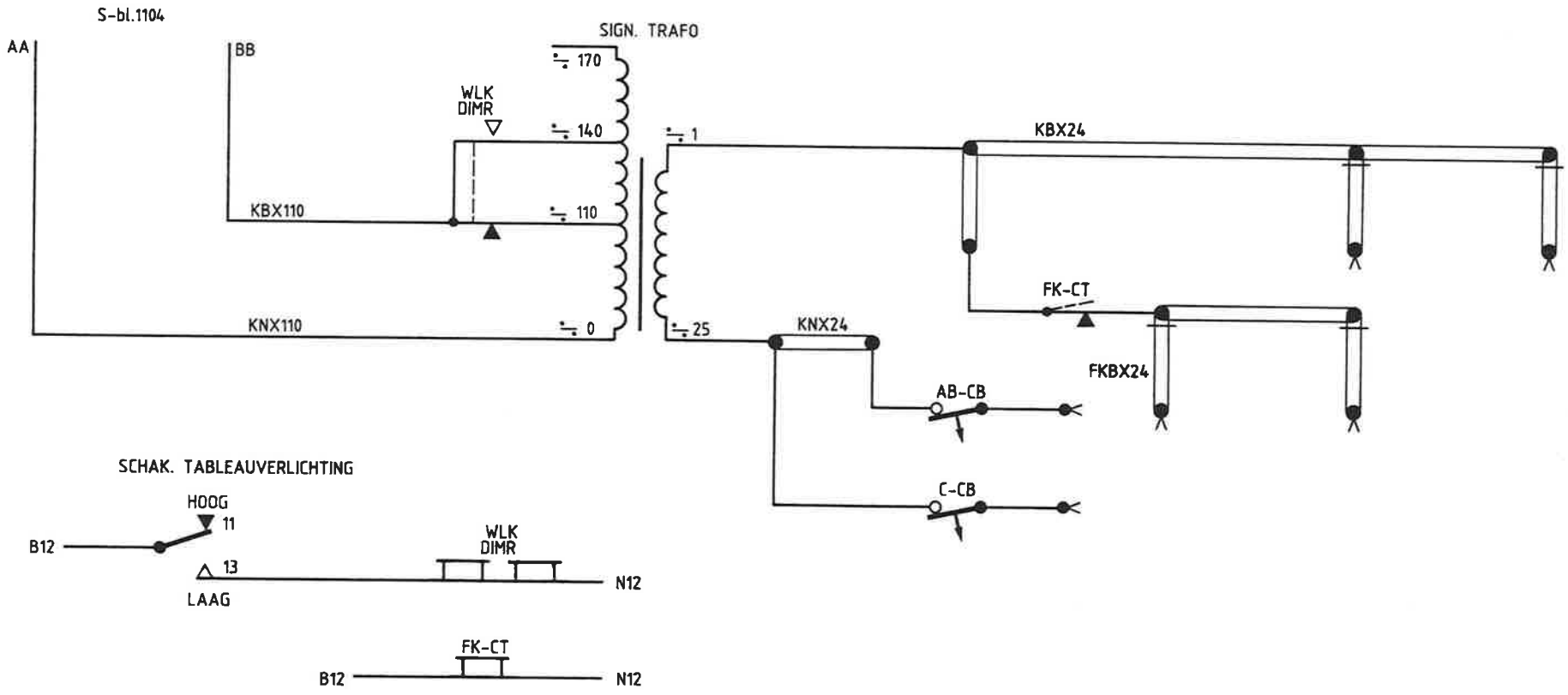
KLEMMENSTROOK BOVENIN VOEDINGSREK (VA-REK)



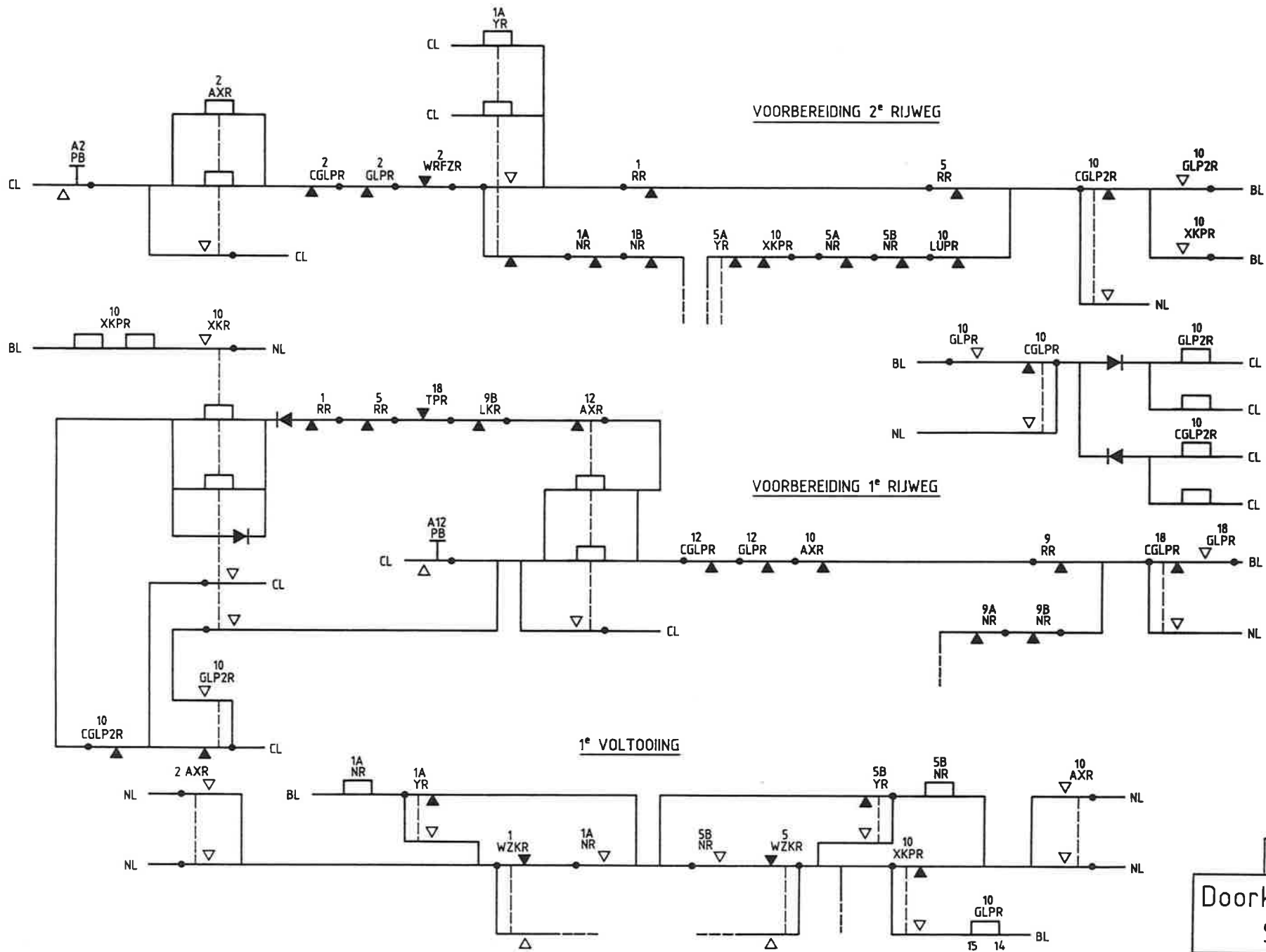


18-06-'86

Knipperspanningsbewaking
S-bl.1105

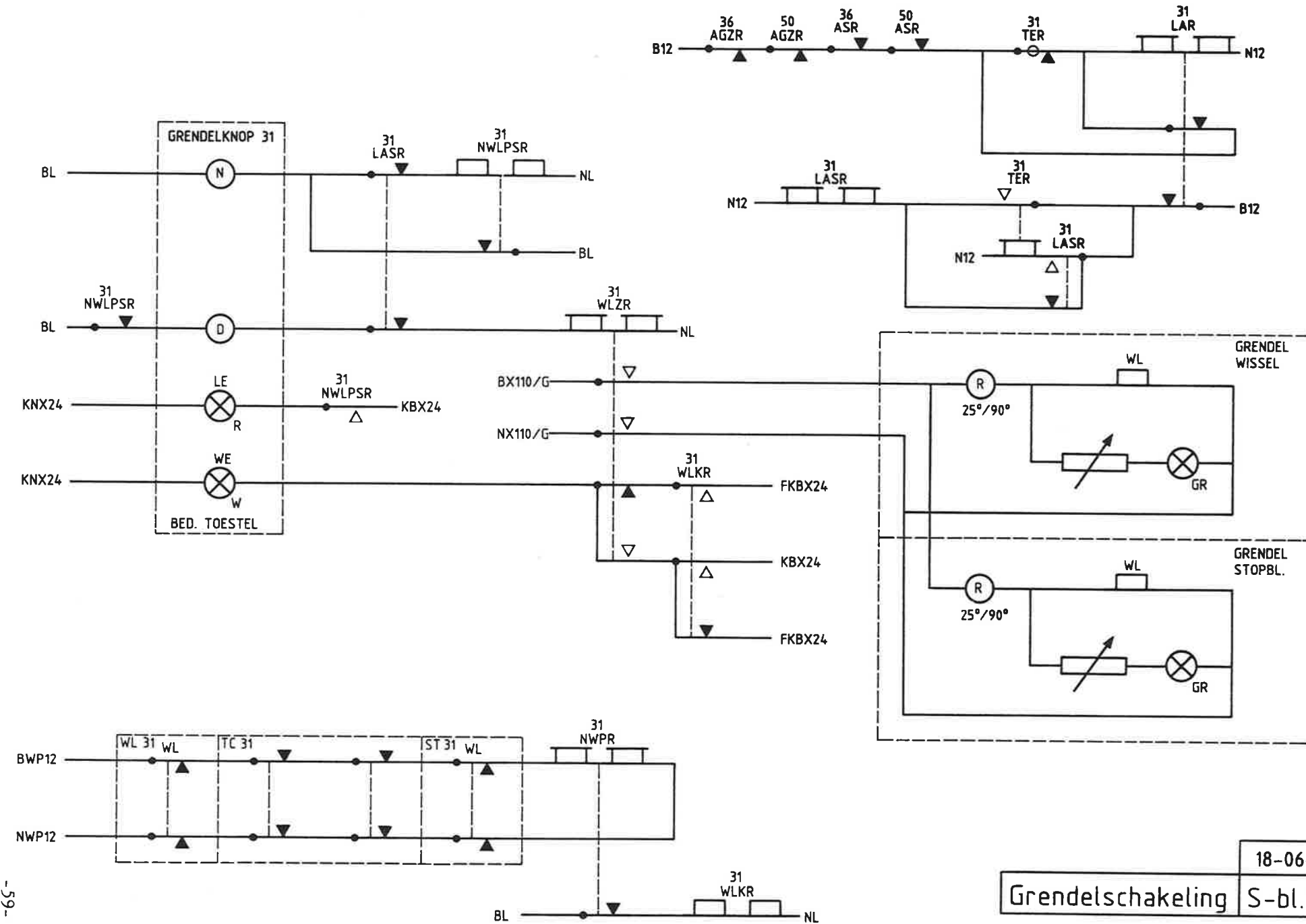


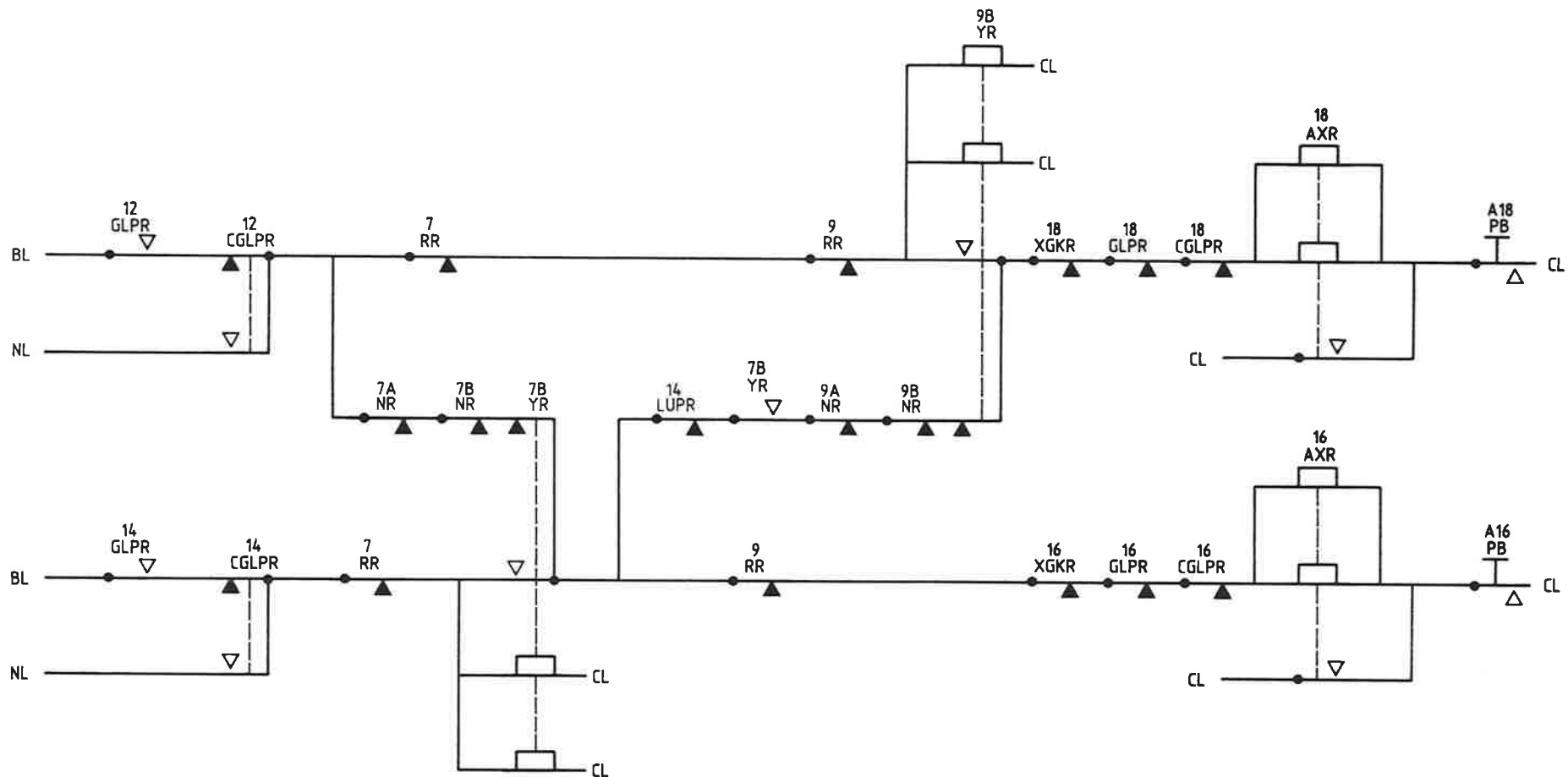
	18-06-'86
Voedingen KBX/FKBX/KNX24	S-bl.1106



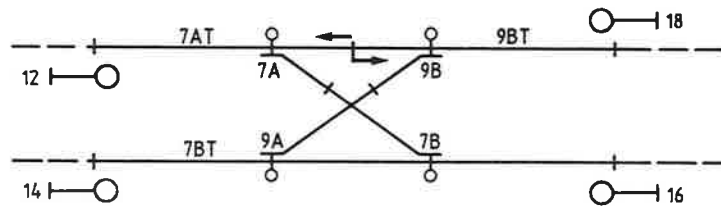
18-06-'86

Doorkoppelen
S-bl.1901

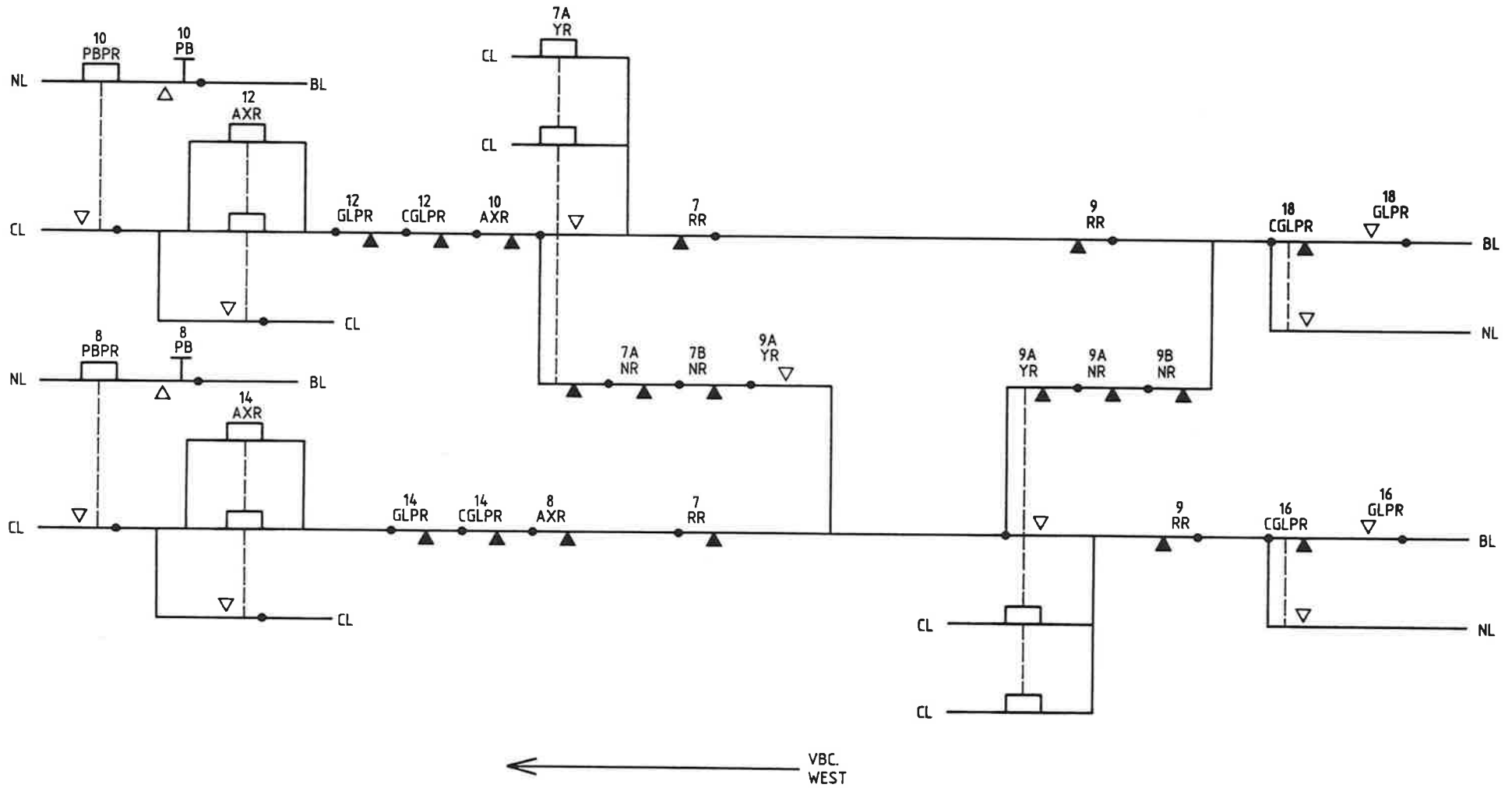




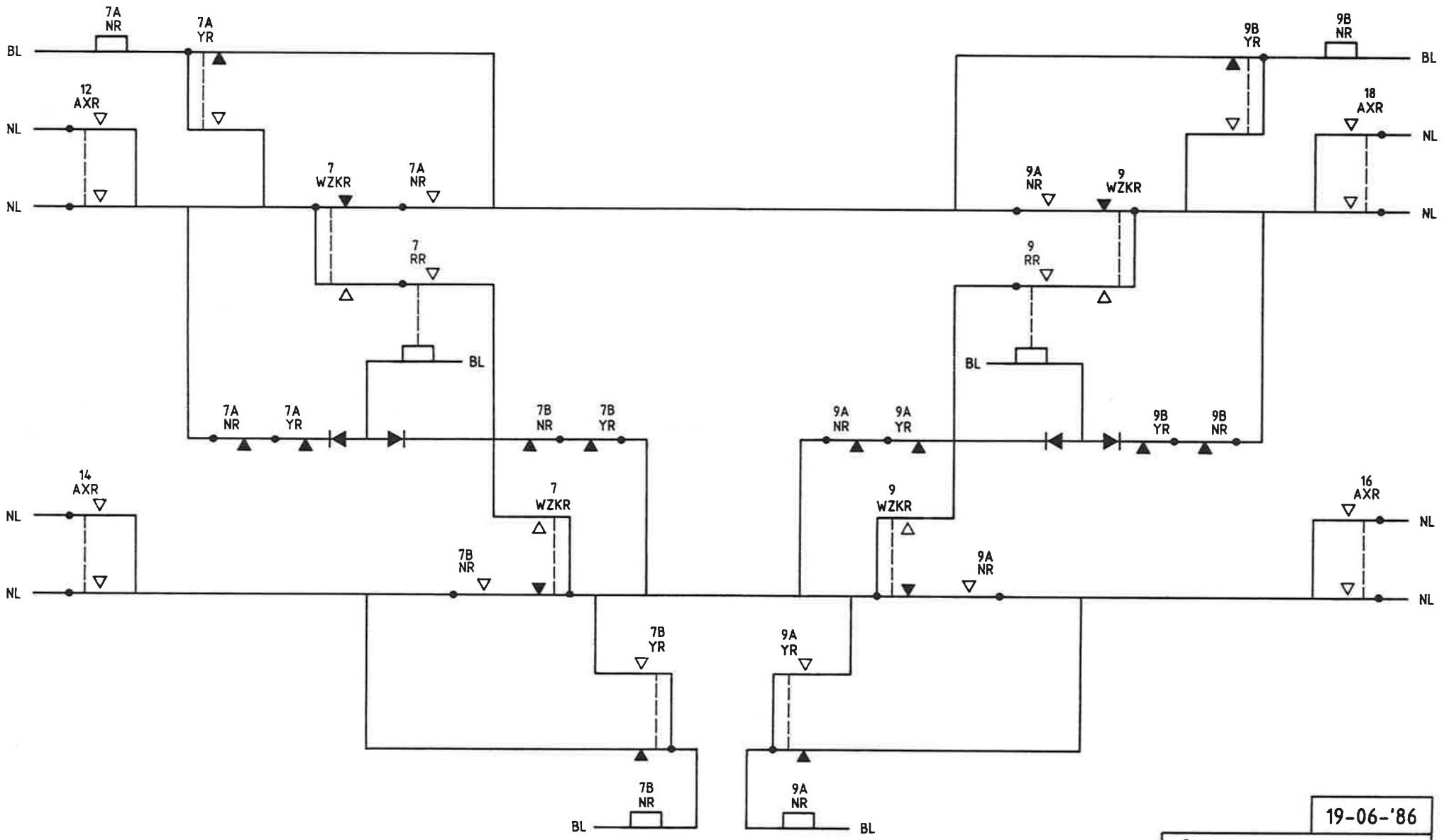
VBC
OOST →



	18-06-'86
Vorbereidingscircuit Oost-West	
Kruiswissel	

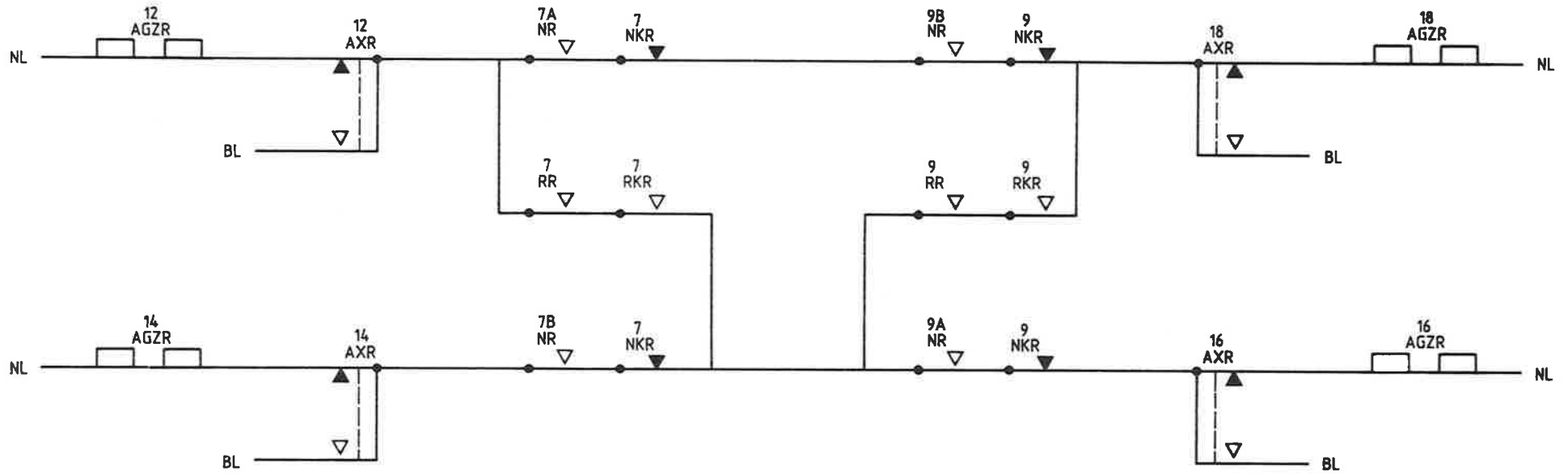


18-06-'86
Vorbereidingscircuit West-Oost
Kruiswissel



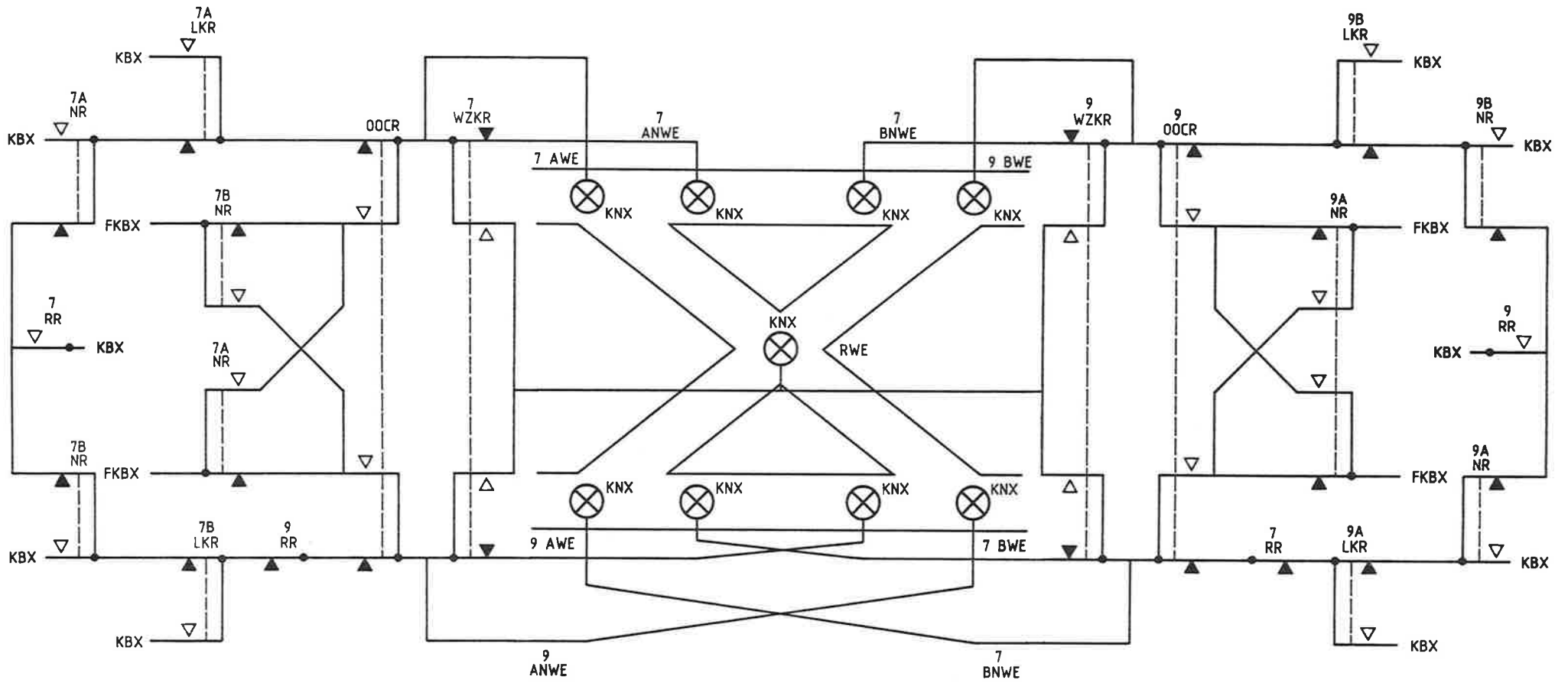
19-06-'86

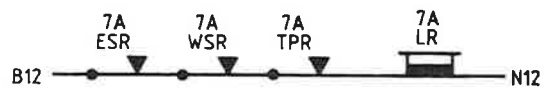
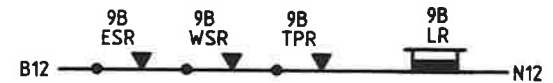
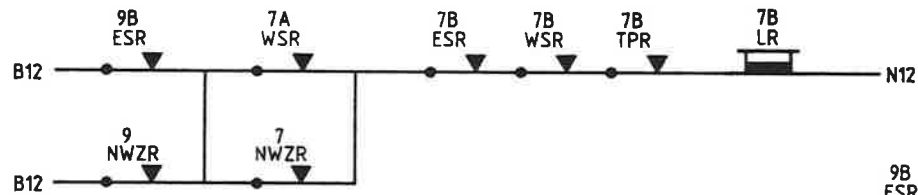
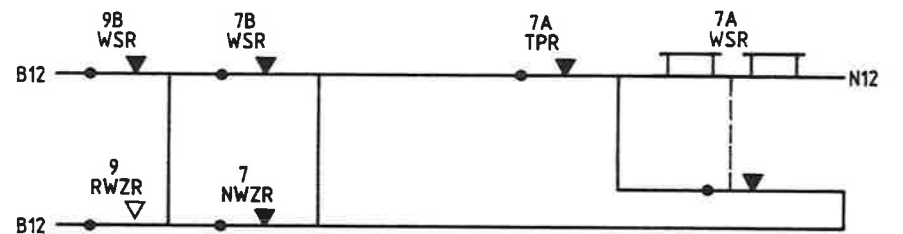
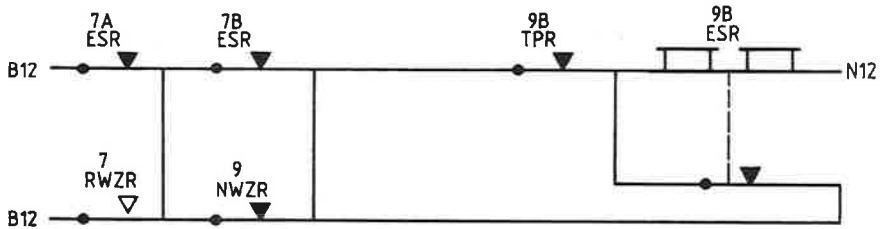
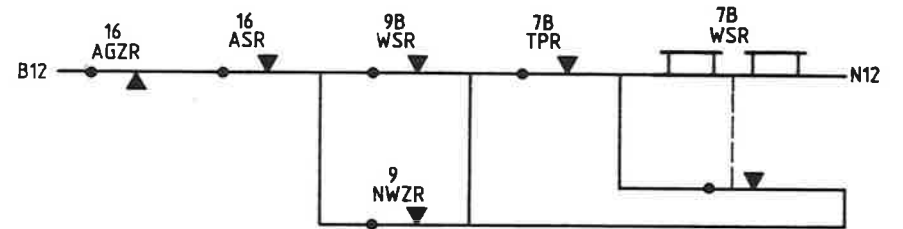
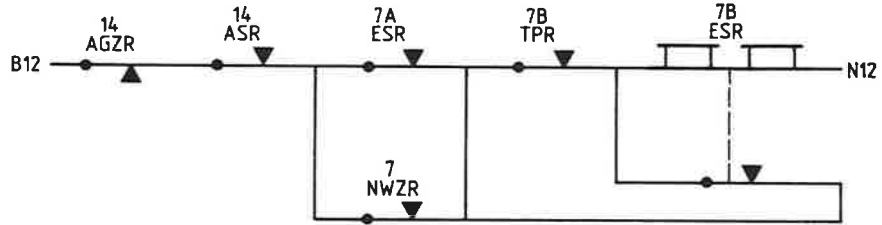
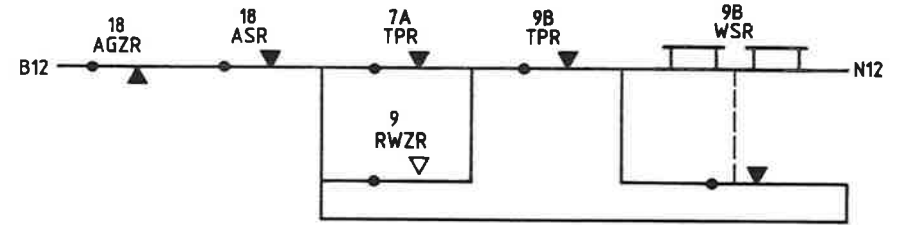
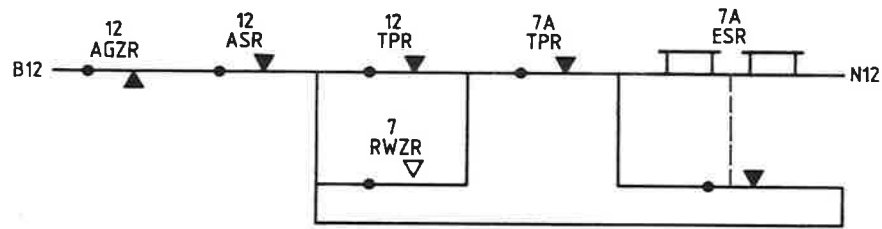
1^e voltooiingscircuit
Kruiswissel



18-06-'86

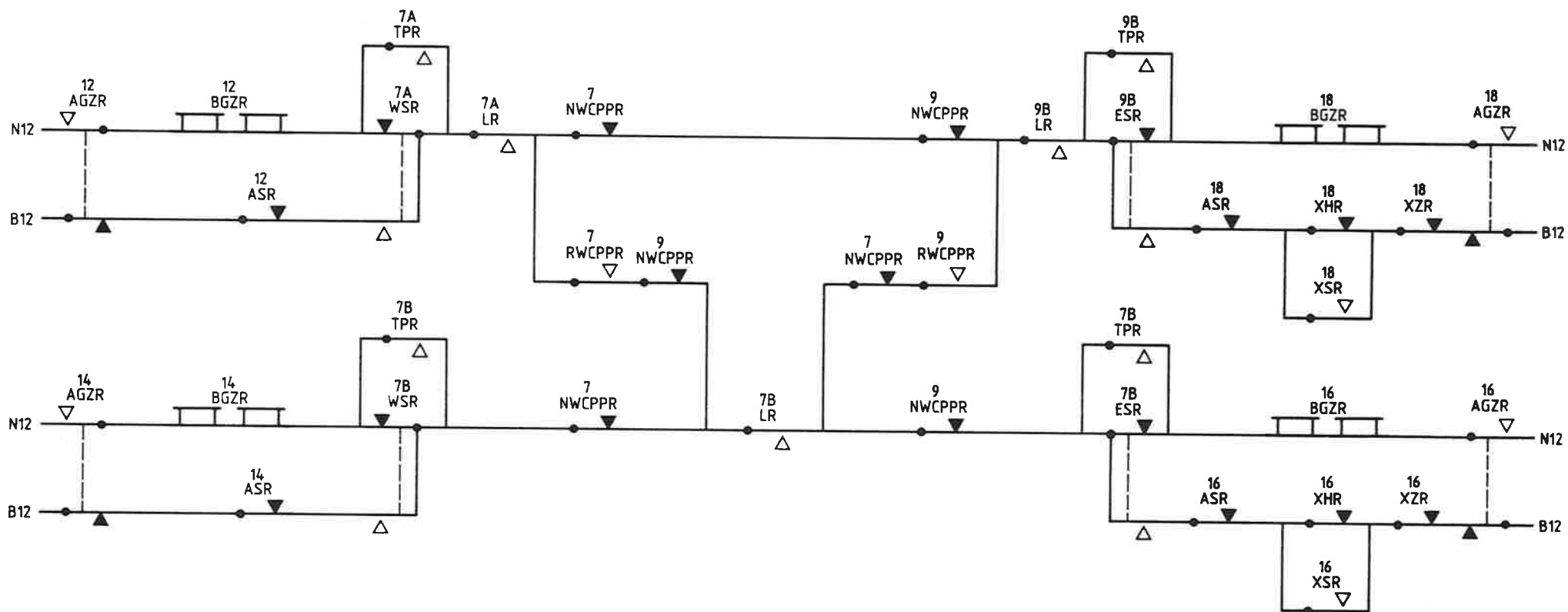
2^e voltooingscircuit
Kruiswissel





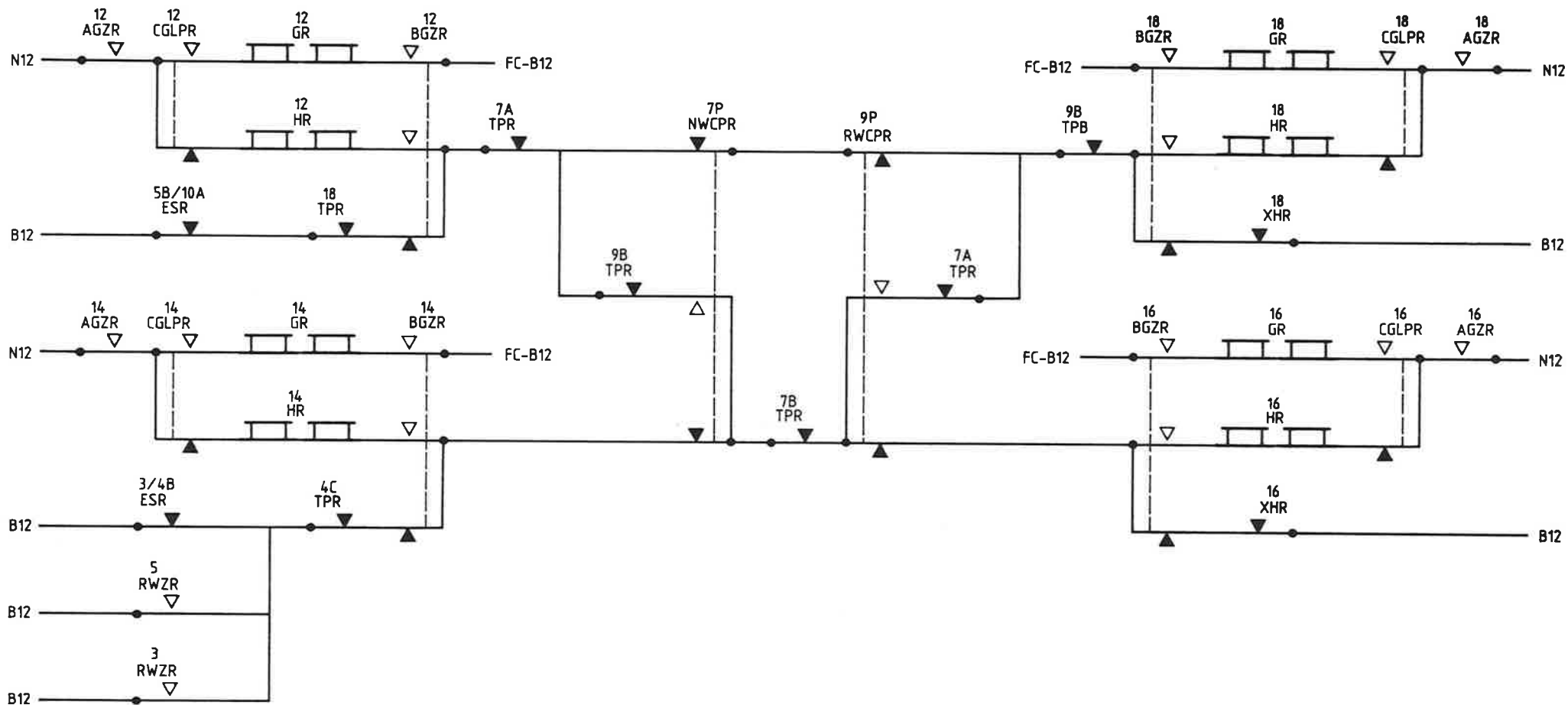
19-06-'86

Wisselvastlegging en
vergrendeling kruiswissel



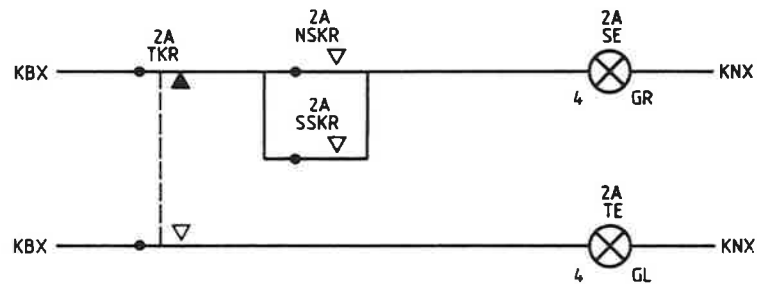
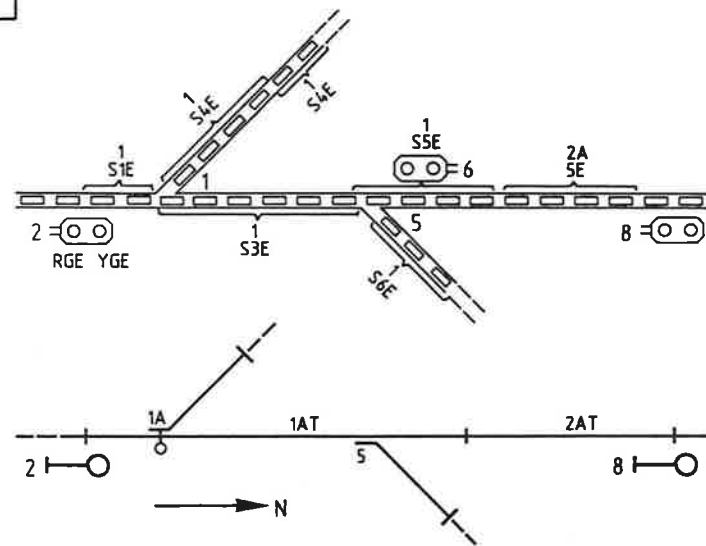
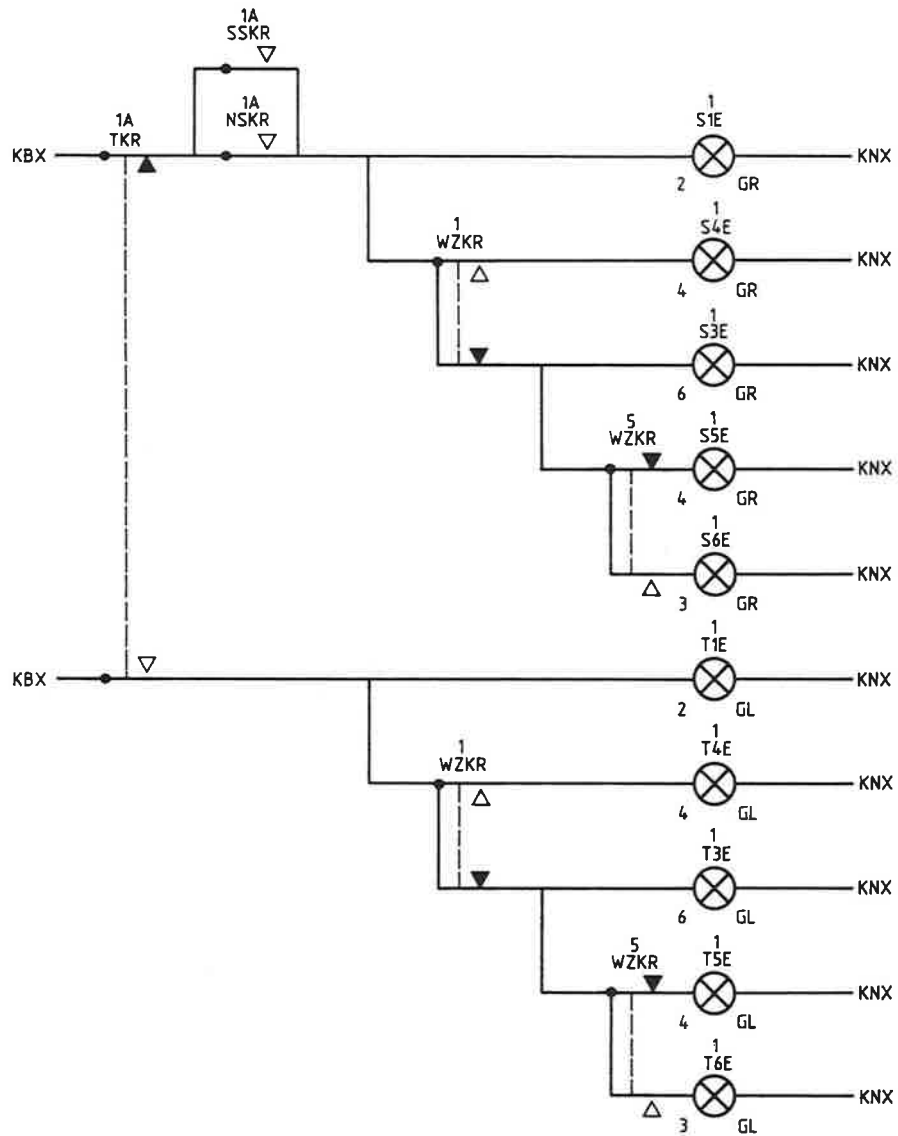
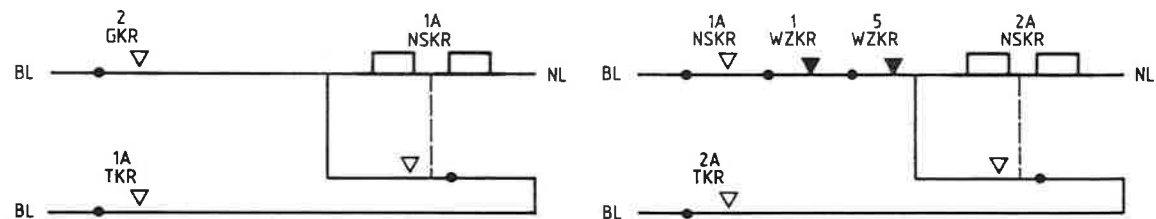
19-06-'86

BGZR-circuit
Kruiswissel



19-06-'86

GR/HR-circuit
Kruiswissel



13-06-'86

Routesignalering
Integra

the 1990s, the number of people in the world who are under 15 years of age is expected to increase from 1.1 billion in 1990 to 1.5 billion in 2000. The number of people aged 15 years and over is expected to increase from 3.5 billion in 1990 to 4.5 billion in 2000.

The number of people in the world who are aged 15 years and over is expected to increase from 3.5 billion in 1990 to 4.5 billion in 2000. The number of people aged 15 years and over is expected to increase from 3.5 billion in 1990 to 4.5 billion in 2000.

The number of people in the world who are aged 15 years and over is expected to increase from 3.5 billion in 1990 to 4.5 billion in 2000. The number of people aged 15 years and over is expected to increase from 3.5 billion in 1990 to 4.5 billion in 2000.

The number of people in the world who are aged 15 years and over is expected to increase from 3.5 billion in 1990 to 4.5 billion in 2000. The number of people aged 15 years and over is expected to increase from 3.5 billion in 1990 to 4.5 billion in 2000.

The number of people in the world who are aged 15 years and over is expected to increase from 3.5 billion in 1990 to 4.5 billion in 2000. The number of people aged 15 years and over is expected to increase from 3.5 billion in 1990 to 4.5 billion in 2000.

The number of people in the world who are aged 15 years and over is expected to increase from 3.5 billion in 1990 to 4.5 billion in 2000. The number of people aged 15 years and over is expected to increase from 3.5 billion in 1990 to 4.5 billion in 2000.

The number of people in the world who are aged 15 years and over is expected to increase from 3.5 billion in 1990 to 4.5 billion in 2000. The number of people aged 15 years and over is expected to increase from 3.5 billion in 1990 to 4.5 billion in 2000.

The number of people in the world who are aged 15 years and over is expected to increase from 3.5 billion in 1990 to 4.5 billion in 2000. The number of people aged 15 years and over is expected to increase from 3.5 billion in 1990 to 4.5 billion in 2000.

The number of people in the world who are aged 15 years and over is expected to increase from 3.5 billion in 1990 to 4.5 billion in 2000. The number of people aged 15 years and over is expected to increase from 3.5 billion in 1990 to 4.5 billion in 2000.